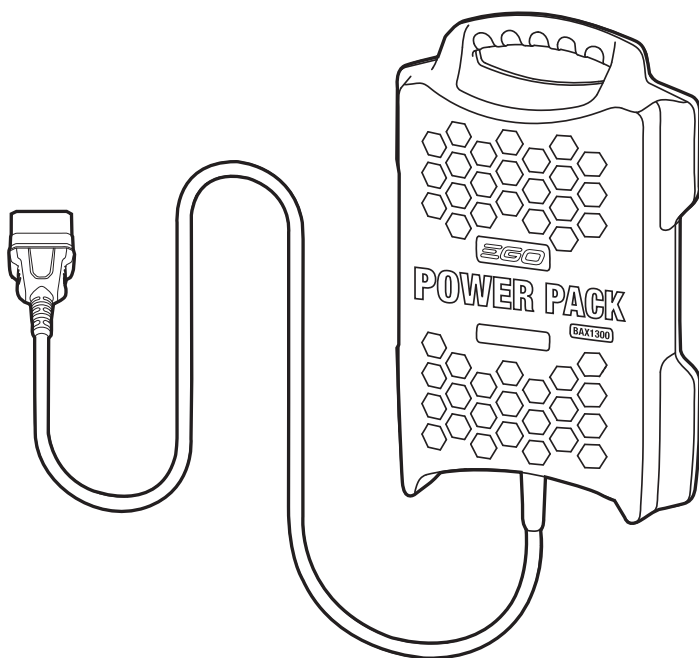


EGO™

POWER⁺ BACKPACK BATTERY



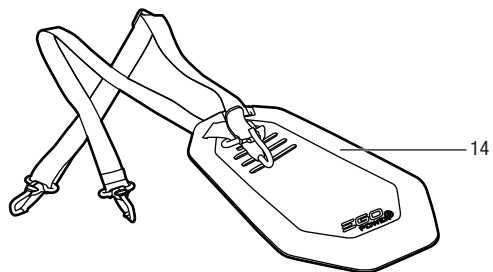
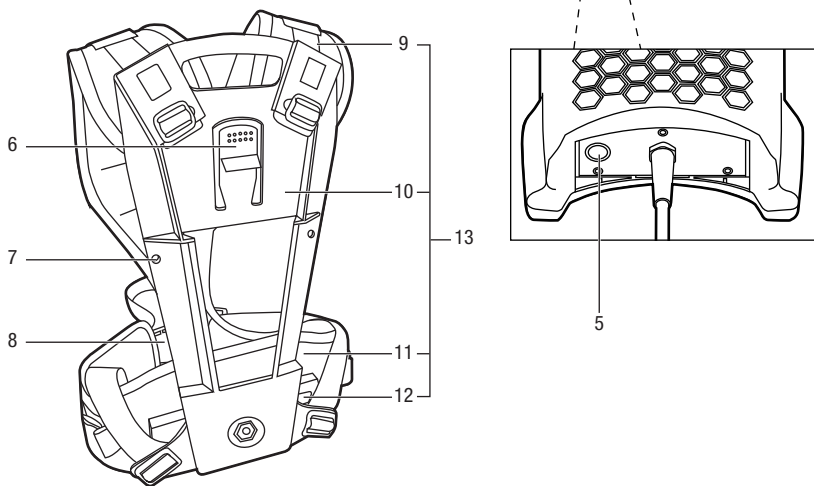
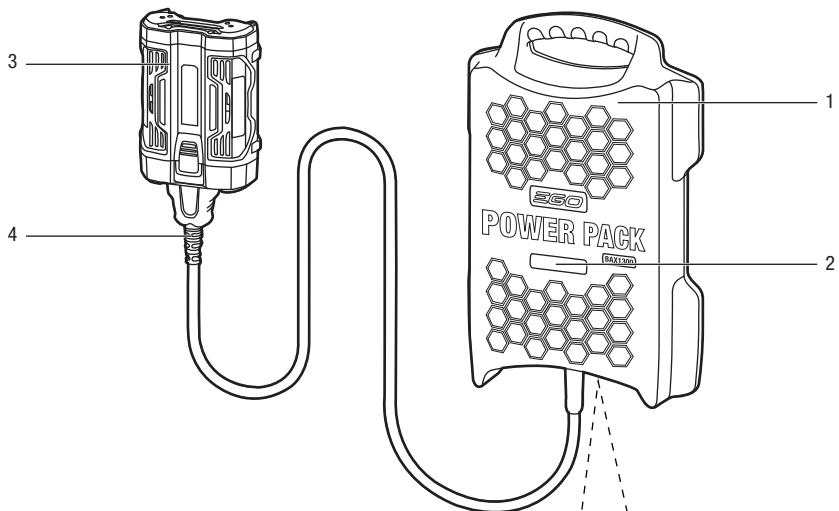
OPERATOR'S MANUAL

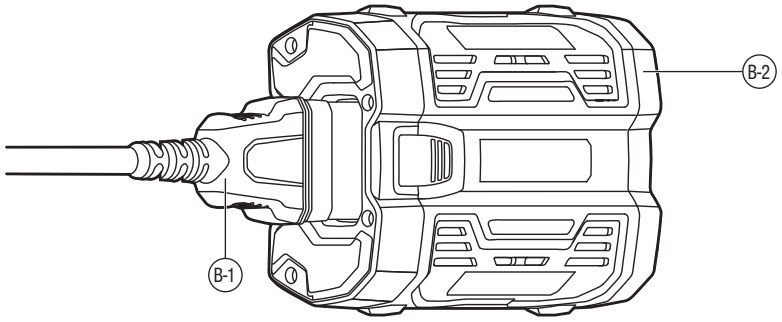
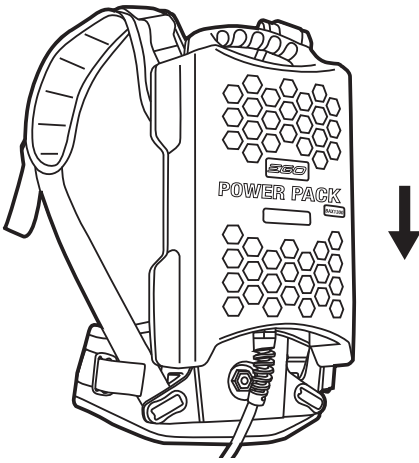
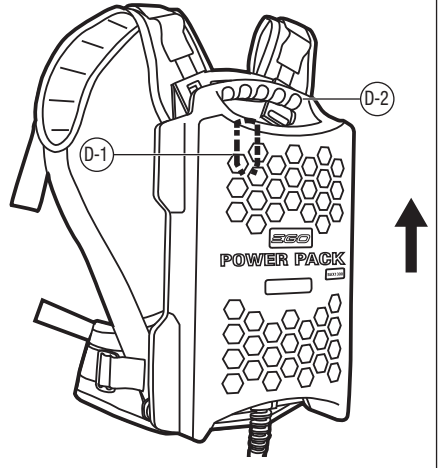
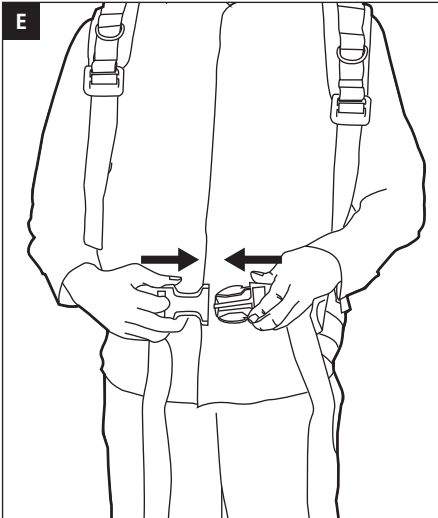
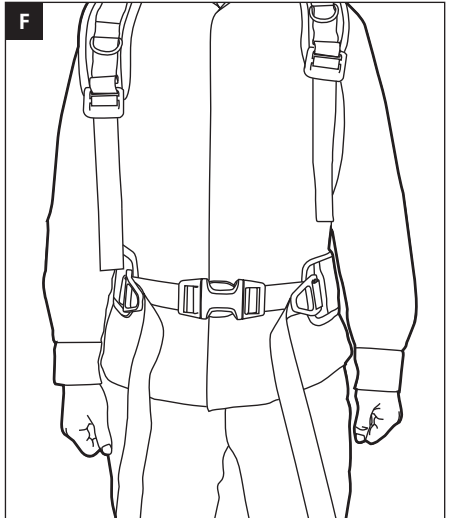
56-VOLT BACKPACK BATTERY

MODEL NUMBER BAX1300

EN	56 volt backpack battery	4	NL	56 volt rugzak accu	38
DE	56-Volt Rucksack-Akku	10	DK	56 V batteri til rygsækmodel	45
FR	Batterie sac à dos 56 volts	17	SE	56 V ryggsäcksbatteri	51
ES	Batería de mochila de 56 voltios	24	FI	56 voltin reppuakku	57
IT	Caricabatteria a zaino 56 Volt	31	NO	56 V ryggeskkbatteri	63

A



B**C****D****E****F**

READ ALL INSTRUCTIONS!



READ OPERATOR'S MANUAL

⚠ Residual risk! People with electronic devices, such as pacemakers, should consult their physician(s) before using this product. Operation of electrical equipment in close proximity to a heart pacemaker could cause interference or failure of the pacemaker.

⚠ WARNING: To ensure safety and reliability, all repairs and replacements should be performed by a qualified service technician.

SAFETY SYMBOLS

The purpose of safety symbols is to attract your attention to possible dangers. The safety symbols and the explanations with them deserve your careful attention and understanding. The symbol warnings do not, by themselves, eliminate any danger. The instructions and warnings they give are no substitutes for proper accident prevention measures.

⚠ WARNING: Be sure to read and understand all safety instructions in this Operator's Manual, including all safety alert symbols such as "DANGER," "WARNING," and "CAUTION" before using this tool. Failure to follow all instructions listed below may result in electric shock, fire, and/or serious personal injury.

⚠ WARNING: Risk of fire and burns. Do not disassemble, heat above 100 °C, or incinerate. Keep battery pack out of reach of children and in original package until ready to use. Dispose of used battery pack promptly according to local recycling or waste regulations.

SAFETY INSTRUCTIONS

This page depicts and describes safety symbols that may appear on this product. Read, understand, and follow all instructions on the machine before attempting to assemble and operate it.

	Safety Alert	Indicates a potential personal injury hazard.
	Read operator's manual	To reduce the risk of injury, user must read and understand operator's manual before using this product.

	Recycle Symbols	Do not dispose of battery packs/batteries into household waste, fire or water. Battery packs/batteries should be collected, recycled or disposed of in an environmental friendly manner.
	Do Not Expose To Rain	Do not use in the rain or leave outdoors while it is raining.
	CE	This product is in accordance with applicable EC directives.
	WEEE	Waste electrical products should not be disposed of with household waste. Take to an authorized recycler.
V	Volt	Voltage
A	Amperes	Current
W	Watt	Power
min	Minutes	Time
	Direct Current	Type or a characteristic of current

⚠ WARNING: Read and understand all instructions. Failure to follow all instructions may result in electric shock, fire and/or serious personal injury. The term "power tool" in most of warnings listed refers to EGO Power+ battery operated (cordless) Lawn & Garden machines.

WORK AREA SAFETY

- **Keep the work area clean and well lit.** Cluttered or dark areas invite accidents.
- **Do not operate power tools in explosive environments, such as in the presence of flammable liquids, gases, or dust. Power tools create sparks, which may ignite the dust or fumes.**

ELECTRICAL SAFETY

- **Do not expose power tools to rain or wet conditions.** Water entering a power tool will increase the risk of electric shock.
- **Use only with chargers and power tools listed in "SPECIFICATIONS".**

BATTERY PACK USE AND CARE

- **Recharge only with the chargers specified by the manufacturer.** A charger that is suitable for one type of battery pack may create a rise of fire when used with another battery pack.
- **Use the battery pack only with specifically designated power tools.** Use of any other power tools may create a risk of injury and fire.
- **When battery pack is not in use, keep it away from other metal objects like paper clips, coins, keys, nails screws or other small metal objects that can make a connection from one terminal to another.** Shorting the battery terminals together may cause burns or a fire.
- **Under abusive conditions, liquid may be ejected from the battery; avoid contact. If contact accidentally occurs, flush with water. If liquid contacts eyes, additionally seek medical help.** Liquid ejected from the battery may cause irritation or burns.
- **Do not dismantle, open or shred secondary cells or batteries.**
- **Do not expose cells or batteries to heat or fire.** Avoid storage in direct sunlight.
- **Do not short-circuit a cell or a battery.** Do not store cells or batteries haphazardly in a box or drawer where they may short-circuit each other or be short-circuited by other metal objects.
- **Do not remove a cell or battery from its original packaging until required for use.**
- **Do not subject cells or batteries to mechanical shock.**
- **In the event of a cell leaking, do not allow the liquid to come in contact with the skin or eyes.** If contact has been made, wash the affected area with copious amounts of water and seek medical advice.
- **Do not use any charger other than that specifically provided for use with the equipment.**
- **Do not use any cell or battery which is not designed for use with the equipment.**
- **Do not mix cells of different manufacture, capacity, size or type within a device.**
- **Keep cells and batteries out of the reach of children.**
- **Seek medical advice immediately if a cell or a battery has been swallowed.**
- **Always purchase the correct cell or battery for the equipment.**
- **Keep cells and batteries clean and dry.**
- **Wipe the cell or battery terminals with a clean dry cloth if they become dirty.**
- **Secondary cells and batteries need to be charged before use.** Always use the correct charger and refer to the manufacturer's instructions or equipment manual for proper charging instructions.
- **Do not leave a battery on prolonged charge when not in use.**
- **After extended periods of storage, it may be necessary to charge and discharge the cells or batteries several times to obtain maximum performance.**
- **Secondary cells and batteries give their best performance when they are operated at normal room temperature (20 °C ± 5 °C).**
- **Retain the original product literature for future reference.**
- **Use only the cell or battery in the application for which it was intended.**
- **When possible, remove the battery from the equipment when not in use.**
- **Dispose of properly.**

SERVICE

- **Follow instructions in the Maintenance section of this manual.** Use of unauthorized parts or failure to follow Maintenance instructions may create a risk of shock or injury.

SPECIFIC SAFETY RULES

- **Know your power tool. Read the operator's manual carefully. Learn the applications and limitations, as well as the specific potential hazards related to the tool.** Following this rule will reduce the risk of electric shock, fire, or serious injury.
- **Battery tools do not have to be plugged into an electrical outlet; therefore, they are always in operating condition.** Be aware of possible hazards when not using your battery tool. Always remove the battery before changing accessories. Following this rule will reduce the risk of electric shock, fire or serious personal injury.
- **Do not place the battery tools or battery pack near fire or heat.** This will reduce the risk of explosion and possibly injury.
- **Do not dispose of the batteries in a fire.** The cells may explode. Check with local codes for possible special disposal instructions.

- **Do not open or mutilate the battery.** Released electrolyte is corrosive and may cause damage to the eyes or skin. It may be toxic if swallowed.
- **Do not crush, drop or damage the battery pack.** Do not use a battery pack or charger that has been dropped or received a sharp blow. A damaged battery is subject to explosion. Properly dispose of a dropped or damaged battery immediately.
- **Batteries vent hydrogen gas and can explode in the presence of a source of ignition, such as a pilot light.** To reduce the risk of serious personal injury, never use any cordless product in the presence of open flame. An exploded battery can propel debris and chemicals. If exposed, flush with water immediately.
- **Do not charge the battery in a damp or wet location.** Following this rule will reduce the risk of electric shock.
- **For best results, your battery should be charged in a location where the temperature is greater than 0°C and less than 40°C.** Do not store it outside or in vehicles.
- **Under extreme usage or temperature conditions, battery leakage may occur.** If liquid comes in contact with your skin, wash immediately with soap and water, then neutralize with lemon juice or vinegar. If liquid gets in your eyes, flush them with clean water for at least 10 minutes, and then seek immediate medical attention. Following this rule will reduce the risk of serious personal injury.
- **Do not let gasoline, oils, petroleum-based products, etc. come in contact with plastic parts.** These substances contain chemicals that can damage, weaken or destroy plastic.
- **Have your battery pack serviced by a qualified repairperson using only identical replacement parts.** This will ensure that the safety of the battery pack is maintained.

Save these instructions. Refer to them frequently and use them to instruct others who may use this tool. If you lend someone this tool, lend them these instructions also to prevent misuse of the product and possible injury.

SPECIFICATIONS

Rated Voltage	56 V ---
Rated capacity	1300 Wh
Adaptor Charger	CH5500E
Adaptor Power Tools	HT5100E, HT6500E, LB5750E, BC3800E
Weight (Without adaptor)	8.9 Kg

DESCRIPTION

KNOW YOUR BATTERY PACK (Fig. A)

1. Battery pack
2. LCD indicator
3. Cable
4. Adaptor (Sold separately)
5. Switch button
6. Release button
7. Mounting hole
8. Belt buckle
9. Harness
10. Frame
11. Belt
12. Rotating bar ASSY
13. Frame + Harness (Sold separately)
14. Hip-pad (Sold separately)

OPERATION

POWER INDICATOR ON BATTERY PACK

This battery pack is equipped with a LCD indicator, which indicates the EGO logo, actual battery capacity level and error codes. When pressing the battery switch button, the LCD indicator will shine for 10 seconds and indicate EGO logo, and battery status sequentially.

- The indicator will continue to shine during usage and charging
- If the battery capacity is less than 5%, the capacity indication will show "LOW".

BATTERY PROTECTION

The battery circuitry protects the battery pack from extreme temperature, over-discharge, over-current and over-charge. To protect the battery from damage and prolong its life, the battery pack circuitry will turn the battery pack off if it becomes overloaded or if the temperature becomes too high or too low during use. This may happen in extremely high torque, binding and stalling situations.

- In the case of charging, the battery pack will shut down with “**ERROR**” and “**OVER TEMPERATURE**” shown in the LCD indicator when its temperature exceeds 45°C or below 0°C. Once the temperature returns back to normal in 90 minutes the battery will return to work automatically. Otherwise, the battery will shut down, slide the adaptor down onto the charger again, can reactivate charging.
- The battery pack will shut down with “**ERROR**” and “**CAN'T BE CHARGED**” displayed on LCD indicator when the voltage of a battery cell exceeds 4.3V . It is recommended to discharge the battery pack immediately. If this tip is repeated more times, please contact with EGO service centers.
- In the case of discharging, the battery pack will shut down with “**ERROR**” and “**OVER TEMPERATURE**” shown in the LCD indicator when its temperature exceeds 60°C or below -20°C. The battery pack will return to work in both conditions when normal temperature resumes and will allow the power tool to restart.
- The battery pack will shut down with “**ERROR**” and “**OVER LOAD**” displayed on LCD indicator when the maximum discharge current exceeds 40A. It is recommended to stop work and contact your service technician for assistant.

⚠ WARNING: You should never heat the battery pack under any circumstances.

CHARGE THE BATTERY PACK

The battery pack is shipped partially charged. Before using it for the first time the battery should be charged.

⚠ WARNING: Do not charge the battery pack outdoors or expose it to wet or damp conditions. Water entering the charger or battery pack will increase the risk of electric shock. For any additional details, please refer to the Operator's Manual for the EGO CH5500E Rapid Charger.

1. Connect the charger (CH5500E) to the power supply (220-240V ~ 50Hz).

2. Insert the plug into the socket on battery adaptor until “two clicks” occurs (Fig. B).

Fig. B parts description see below:

B-1	Plug
B-2	Adaptor

3. Slide the adaptor down onto the charger through the same operation method as other EGO battery pack.
4. While the battery pack is charging, the LCD indicator is illuminated allowing for the charge capacity to be read, at 100% the battery pack is fully charged. Wait until the cooling fan stops, remove the battery pack from the charger and disconnect the charger from the power supply.
5. The battery pack will fully charge if left on the charger, but it will not overcharge. However, it is recommended to stop charging once a full charge has been achieved.

NOTICE:

- If you have not inserted the plug into its place completely, LCD light would flashing continually.
- A significantly reduced run time after fully charging the battery pack indicates that the batteries are near the end of their usable life and should be replaced.
- The charger may warm during charging. This is part of the normal operation of the charger. Charge in a well-ventilated area.
- The battery pack will become dormant when if it remains unused for 72h. and may affect the **CHARGING** process. In this case, you should press the switch button firstly to activate the battery pack before charging.

CONNECT AND DISCONNECT “FRAME + HARNESS” WITH BATTERY PACK

To connect

Put the battery pack into “frame + harness” and slide it until a click happening (Fig. C).

To Disconnect

Press the release button behind the carrying grip opening of the power pack and pull the pack upwards (Fig. D).

Fig. D parts description see below:

D-1	Release Button
D-2	Carrier grip

PUT ON HARNESS WITH BATTERY PACK

In normal operation, the battery pack with the “frame + harness” is worn on the back. To prevent fatigue and work comfortably, the carrier plate is equipped with a lap belt joint, which guarantees freedom of movement.

The belt length of the lap belt and shoulder straps can be adjusted freely. The back cushion should fit firmly and securely on your back.

- Adjust the belt length to make yourself comfortable before normal work, the length should fit your body size through the belt buckle. Then insert the two parts of the belt buckle into each other until a click occurs (Fig. E & F). For taking off the harness with battery pack, press the belt button and pull the two parts apart.
- Adjust the length of shoulder straps through the straps buckle. The harness should be properly tightened to ensure comfort.

TO ATTACH AND DETACH THE BATTERY PACK

Guide the battery pack cable around the side of the body, and connect the adaptor to the 1.5m connection cable. Follow the instructions in the Operator’s Manual for the individual EGO product.

⚠ WARNING: When emergency occurs, take off the battery pack from your shoulder immediately. Releasing the belt buckle and taking off the shoulder harness at each side is a quick release method.

⚠ WARNING: Do not over tighten the shoulder straps as it may make it difficult to remove the battery pack.

⚠ WARNING: Only certain EGO products can match the battery pack, namely Hedge Trimmer (HT5100E, HT6500E), Blower (LB5750E) and Line Trimmer (BC3800E). We recommend you should not use the battery pack on other power tools.

MAINTENANCE

⚠ WARNING: The battery pack must be repaired or replaced in EGO qualified service centre and technicians.

⚠ WARNING: To avoid serious personal injury, always remove the battery pack from the tool when changing accessories, cleaning or performing any maintenance.

⚠ WARNING: When servicing, use only identical EGO replacement parts. Use of any other parts may create a hazard or cause product damage.

⚠ WARNING: If cleaning with compressed air is the only method to apply, always wear safety goggles or safety glasses with side shields. If the operation is dusty, also wear a dust mask.

GENERAL MAINTENANCE

Avoid using solvents when cleaning plastic parts. Most plastics are susceptible to damage from various types of commercial solvents and may be damaged by their use. Use clean clothes to remove dirt, dust, oil, grease, etc.

⚠ WARNING: Do not at any time let brake fluids, gasoline, petroleum-based products, penetrating oils, etc. come in contact with plastic parts. Chemicals can damage, weaken or destroy plastic which may result in serious personal injury.

BATTERIES

The battery pack is equipped with Lithium-Ion rechargeable batteries. The duration of use from each charge will depend on the type of work performed. The batteries in this tool has been designed to provide maximum trouble-free life. Like all batteries, they will eventually wear out.

Do not disassemble the battery pack or attempt to replace the cells. Handling of the batteries, especially when wearing rings and jewelry could result in serious burns. To obtain the longest possible battery life, read and understand the operator’s manual.

⚠ WARNING: It is good practice to unplug the charger and remove the battery pack when not in use.

BATTERY PACK REMOVAL AND PREPARATION FOR RECYCLING



Do not dispose of battery charger and batteries/rechargeable batteries into household waste!

Li-ion

According to the European law 2012/19/EU, electrical and electronic equipment that is no longer usable, and according to the European law 2006/66/EC, defective or used battery packs/batteries, must be collected separately and disposed of in an environmentally correct manner.

Consult your local waste authority for information regarding available recycling and/or disposal options.

⚠ WARNING: Upon removal of the battery pack for disposal or recycling, cover the battery pack's terminals with heavy-duty adhesive tape. Do not attempt to destroy or disassemble the battery pack or remove any of its components. Lithium-Ion batteries must be recycled or disposed of properly. Also, never touch the terminals with metal objects and/or body parts as a short circuit may result. Keep away from children. Failure to comply with these warnings could result in fire and/or serious injury.

TROUBLESHOOTING

PROBLEM	CAUSE	SOLUTION
The power tool doesn't work.	<ul style="list-style-type: none"> ■ The adaptor of battery pack is not attached to the power tool. ■ No electrical contact between the power tool and battery. ■ The battery pack is depleted ■ The battery pack or power tool is too hot. ■ The cable or adaptor is out of work. 	<ul style="list-style-type: none"> ■ Attached the battery pack to the power tool. ■ Remove the adaptor, check contacts and reinstall the adaptor. ■ Charge the battery pack. ■ Cool the battery pack or power tool until the temperature drops to normal values. ■ Contact with EGO service centers.
The "OVER TEMPERATURE" Shown in LCD indicator.	<ul style="list-style-type: none"> ■ The battery temperature exceeds or reduces below the specified value. 	<ul style="list-style-type: none"> ■ Stop charging or discharging until the temperature becomes normal.
The "CAN'T BE CHARGED" Shown in LCD indicator.	<ul style="list-style-type: none"> ■ The voltage of a battery cell exceeds 4.3V. 	<ul style="list-style-type: none"> ■ Stop charging immediately, but the battery can discharge. If this tip is repeated more times, Contact with EGO service centers.
LCD light flashing continually.	<ul style="list-style-type: none"> ■ The plug is not inserted into adaptor completely or the battery pack is adapter to an unrecognized power tool. 	<ul style="list-style-type: none"> ■ Reinsert the plug into the socket on battery adaptor until "two clicks" occurs. Use EGO power tools.

WARRANTY

EGO WARRANTY POLICY

Please visit the website egopowerplus.com for full terms and conditions of the EGO Warranty policy.

LESEN SIE ALLE ANWEISUNGEN!

DE



LESEN SIE DIE BEDIENUNGSANLEITUNG

⚠ Restrisiko! Menschen mit elektronischen Geräten, wie z.B. Herzschrittmachern, sollten ihren Arzt konsultieren, bevor sie dieses Gerät verwenden. Die Bedienung von Elektrogeräten in unmittelbarer Nähe zu Herzschrittmachern kann zu Interferenzen und Störungen des Schrittmachers führen.

⚠ WARNUNG: Um die Sicherheit und Zuverlässigkeit zu gewährleisten, sollten alle Reparaturen nur von qualifizierten Servicetechnikern durchgeführt werden.

SICHERHEITSSYMBOL

Der Zweck von Sicherheitssymbolen besteht darin, Ihre Aufmerksamkeit auf mögliche Gefahren zu lenken. Die Sicherheitssymbole und deren Erklärungen verdienen Ihre vollste Aufmerksamkeit und Ihr Verständnis. Die Warnsymbole beseitigen nicht von sich aus die Gefahren. Ihre Anweisungen und Warnungen sind kein Ersatz für angemessene Unfallverhütungsmaßnahmen.

⚠ WARNUNG: Achten sie darauf, dass sie, bevor Sie das Gerät benutzen, alle Sicherheitsanweisungen dieser Bedienungsanleitung gelesen und verstanden haben, einschließlich aller Gefahrenzeichen wie „VORSICHT“, „WARNUNG“ und „ACHTUNG“. Die Nichtbeachtung der unten angeführten Anweisungen kann zu Stromschlägen, Feuer und/oder schweren Personenschäden führen.

⚠ WARNUNG: Brand- und Verbrennungsgefahr Nicht zerlegen, über 100 °C aufwärmen oder verbrennen. Akkusatz von Kindern fernhalten. Bewahren Sie ihn in der Originalverpackung auf, bis Sie ihn in das Gerät einsetzen. Entsorgen Sie den leeren Akkusatz sofort und gemäß den örtlichen Recycling- und Entsorgungsbestimmungen.

SICHERHEITSHINWEISE

Auf dieser Seite werden die Warnsymbole vorgestellt und beschrieben, die sich unter Umständen am Gerät befinden. Lesen, verstehen und befolgen Sie die Anleitungen auf der Maschine, bevor Sie versuchen, die Maschine zusammenzubauen oder zu bedienen.

	Sicherheitswarnung	Weist auf mögliche Verletzungsgefahr hin.
	Lesen Sie Die Bedienungsanleitung	Um das Verletzungsrisiko zu verringern, muss der Benutzer die Bedienungsanleitung vor der Benutzung des Gerätes gelesen und verstanden haben.
	Recycling-Symbole	Akkus/Batterien nicht im Hausmüll entsorgen, ins Feuer oder Wasser werfen. Akkus/Batterien müssen gesammelt, recycelt oder auf umweltfreundliche Weise entsorgt werden.
	Vor Regenschützen	Nicht im Regen verwenden oder bei Regen im Freien liegen lassen.
	CE	Dieses Produkt erfüllt die anwendbaren EG-Richtlinien.
	WEEE	Elektro- und Elektronik-Altgeräte dürfen nicht im Hausmüll entsorgt werden. Bringen Sie das Gerät zu einem zugelassenen Recyclinghof.
V	Volt	Spannung
A	Ampere	Strom
W	Watt	Leistung
min	Minuten	Zeit
	Gleichstrom	Art oder Eigenschaft der Stromzufuhr

⚠ WARNUNG: Lesen und befolgen Sie alle Anweisungen. Die Nichtbeachtung sämtlicher Anweisungen kann zu Stromschlägen, Feuer und/oder schweren Verletzungen führen. Der Begriff „Elektrowerkzeug“ in den meisten aufgeführten Warnhinweisen bezieht sich auf akkubetriebene (kabellose) Rasenpflege- und Gartengeräte der Marke EGO Power+.

SICHERHEIT IM ARBEITSBEREICH

- **Halten Sie den Arbeitsbereich stets sauber und gut beleuchtet.** Nicht aufgeräumte oder dunkle Bereiche können Unfälle provozieren.

- **Verwenden Sie das Elektrowerkzeug nicht in explosionsgefährdeten Umgebungen wie z.B. dort, wo entzündliche Flüssigkeiten, Gase oder Staub vorhanden sind. Elektrowerkzeuge erzeugen Funken, die Staub oder Dämpfe entzünden können.**

ELEKTRISCHE SICHERHEIT

- **Schützen Sie Elektrowerkzeuge vor Regen oder feuchten Bedingungen.** Wenn Wasser in das Elektrowerkzeug eindringt, besteht erhöhte Stromschlaggefahr.
- **Benutzen Sie nur die unter „TECHNISCHE DATEN“ aufgeführten Ladegeräte und Elektrowerkzeuge.**

BENUTZUNG UND PFLEGE VON AKKUS

- **Laden Sie den Akku nur mit den vom Hersteller angegebenen Ladegeräten auf.** Ein Ladegerät, das für einen bestimmten Akkutyp geeignet ist, kann bei der Benutzung mit einem anderen Akkusatz ein Brandrisiko darstellen.
- **Verwenden Sie den Akku nur mit den dazu bestimmten Elektrowerkzeugen.** Bei der Benutzung mit anderen Elektrowerkzeugen besteht Verletzungs- und Brandgefahr.
- **Wenn der Akku nicht benutzt wird, halten Sie ihn von anderen metallischen Objekten fern, wie Büroklammern, Münzen, Schlüssel, Nägel, Schrauben oder anderen kleinen Metallgegenständen, die eine Verbindung zwischen den Batteriekontakten herstellen können.** Das Kurzschließen der Batteriekontakte kann Verbrennungen oder Brände verursachen.
- **Bei unsachgemäßer Anwendung kann Flüssigkeit aus dem Akku austreten; Kontakt vermeiden. Bei versehentlichem Kontakt sofort mit Wasser spülen. Falls Akkusäure in die Augen geraten ist, suchen Sie zudem einen Arzt auf.** Aus dem Akku austretende Flüssigkeit kann Reizungen oder Verbrennungen verursachen.
- **Zerlegen, öffnen oder zerkleinern Sie keine Sekundärzellen oder Batterien.**
- **Schützen Sie die Zellen oder Akkus vor Hitze oder Feuer.** Nicht direkt in der Sonne aufbewahren.
- **Zellen bzw. Akkus nicht kurzschließen.** Zellen oder Akkus nicht willkürlich in einem Fach oder einer Schublade liegen lassen, wo sie sich gegenseitig oder mit einem anderen Metallgegenstand kurzschließen können.
- **Zellen oder Akkus erst aus der Originalverpackung nehmen, wenn sie gebraucht werden.**
- **Zellen oder Akkus vor mechanischen Stößen schützen.**

- **Falls eine Akkuzelle ausläuft, darf die Flüssigkeit nicht mit der Haut oder den Augen in Berührung kommen.** Bei Berührung den betroffenen Bereich mit reichlich Wasser ausspülen und einen Arzt aufsuchen.
- **Nur das Ladegerät verwenden, das für den Gebrauch des Geräts mitgeliefert wurde.**
- **Keine anderen Zellen oder Akkus verwenden, die nicht für dieses Gerät vorgesehen sind.**
- **Im Gerät keine Zellen mit unterschiedlichem Fabrikat, Kapazität, Größe bzw. verschiedene Ausführungen mischen.**
- **Zellen und Akkus für Kinder unzugänglich aufbewahren.**
- **Bei Verschlucken einer Zelle oder eines Akkus sofort einen Arzt aufsuchen.**
- **Immer die richtige Zelle bzw. Akku für das Gerät kaufen.**
- **Zellen und Akkus sauber und trocken halten.**
- **Zellen und Akkus mit einem sauberen, trockenen Tuch abwischen, wenn sie verschmutzt sind.**
- **Sekundärzellen und Batterien müssen vor dem Gebrauch aufgeladen werden.**
Verwenden Sie stets das zugehörige Ladegerät. Entsprechende Anweisungen zum Aufladen finden Sie in den Herstelleranweisungen oder in der Bedienungsanleitung.
- **Laden Sie einen Akku nicht zu lange auf, wenn er nicht gebraucht wird.**
- **Nach längerer Aufbewahrungszeit müssen die Akkus unter Umständen mehrmals entladen und aufgeladen werden, um wieder die maximale Leistung zu erhalten.**
- **Sekundärzellen und Batterien liefern die beste Leistung, wenn sie bei normaler Zimmertemperatur (20 °C ± 5 °C) benutzt werden.**
- **Bewahren Sie die Original-Bedienungsanleitung zum Nachschlagen auf.**
- **Sekundärzellen und Akkus dürfen nur für den vorgesehenen Zweck eingesetzt werden.**
- **Sofern möglich, den Akku aus dem Gerät nehmen, wenn es nicht benutzt wird.**
- **Vorschriftsmäßig entsorgen.**

WARTUNG

- **Befolgen Sie die Hinweise im Kapitel Wartung dieser Bedienungsanleitung.** Die Verwendung von nicht zugelassenen Teilen oder das Nichtbefolgen der Wartungsanleitung kann zu Stromschlägen oder Verletzungen führen.

SPEZIELLE HINWEISE ZUR SICHERHEIT

- **Machen Sie sich mit dem Elektrowerkzeug vertraut. Lesen Sie die Bedienungsanleitung sorgfältig durch. Befassen Sie sich mit den Einsatzgebieten und den Einschränkungen des Geräts sowie mit den möglichen Gefahren, die von dem Werkzeug ausgehen.** Wenn Sie diese Regeln befolgen, verringern Sie das Risiko für Stromschläge, Feuer und Verletzungen.
- **Akkubetriebene Werkzeuge müssen nicht an eine Steckdose angeschlossen werden; sie sind daher immer einsatzbereit.** Denken Sie an die möglichen Gefahren, wenn Sie das akkubetriebene Werkzeug nicht verwenden. Vor dem Wechseln von Gerätezubehör immer zuerst den Akku entnehmen. Durch das Befolgen dieser Vorschrift lassen sich Stromschläge, Brände und schwere Verletzungen weitestgehend verhindern.
- **Akkuwerkzeuge oder Akkus nicht in der Nähe von Feuer oder Hitze liegen lassen.** Dadurch lässt sich die Explosions- und Verletzungsgefahr verringern.
- **Akkus nicht ins Feuer werfen.** Die Zellen können explodieren. Besondere Anweisungen für die Entsorgung sind den örtlichen Vorschriften zu entnehmen.
- **Den Akku nicht öffnen oder zerstören.** Der auslaufende Elektrolyt ist ätzend und kann Augen oder Haut schädigen. Bei Verschlucken besteht Vergiftungsgefahr.
- **Den Akku nicht quetschen, fallen lassen oder beschädigen.** Akkus oder Ladegeräte, die auf den Boden gefallen sind oder heftige Schläge oder Stöße erlitten haben, dürfen nicht benutzt werden. Ein beschädigter Akku kann explodieren. Fallengelassene oder beschädigte Akkus vorschriftsmäßig entsorgen.
- **Aus Akkus tritt Wasserstoffgas aus, das in Gegenwart einer Zündquelle, wie z.B. einer Zündflamme, explodieren kann.** In der Gegenwart offener Flammen nie kabellose Geräte benutzen, um die Gefahr schwerer Verletzungen zu verhindern. Bei einem explodierenden Akku können Schmutz und Chemikalien umhergeschleudert werden. Bei einer entsprechenden Gefährdung unverzüglich mit Wasser abspülen.
- **Akkus nicht an einem feuchten oder nassen Ort aufladen.** Durch das Befolgen dieser Vorschrift wird die Stromschlaggefahr verringert.
- **Der Akku sollte an einem Ort aufgeladen werden, an dem die Temperatur höher als 0° C und niedriger als 40° C ist.** Nicht im Freien oder in Fahrzeugen aufbewahren.

- **Unter extremen Nutzungs- oder Temperaturbedingungen kann der Akku auslaufen.** Falls die Flüssigkeit mit Ihrer Haut in Berührung kommt, waschen Sie den betroffenen Bereich sofort mit Seife und Wasser. Neutralisieren Sie die Stelle dann mit Zitronensaft oder Essig. Falls die Flüssigkeit in Ihre Augen gerät, spülen Sie Ihre Augen mindestens 10 Minuten lang mit klarem Wasser aus und suchen Sie sofort einen Arzt auf. Das Befolgen dieser Vorschrift verringert die Gefahr von schweren Verletzungen.
- **Benzin, Öle, Erdölzerzeugnisse usw. nicht mit den Kunststoffteilen in Berührung kommen lassen.** Diese Substanzen enthalten Chemikalien, die den Kunststoff angreifen, schwächen oder zerstören können.
- **Lassen Sie Ihren Akku von einer qualifizierten Fachkraft und nur unter Verwendung baugleicher Ersatzteile reparieren.** Nur so kann für die Sicherheit des Akkus gesorgt werden.

Heben Sie diese Anleitung auf. Schlagen Sie gegebenenfalls darin nach und verwenden Sie sie, um andere in die Verwendung des Gerätes einzuweisen. Falls Sie dieses Werkzeug an andere verleihen, händigen Sie ihnen auch diese Anleitung aus, um einem Missbrauch des Geräts und möglichen Verletzungen vorzubeugen.

TECHNISCHE DATEN

Nennspannung	56 V ---
Nennleistung	1300 Wh
Adapter-Ladegerät	CH5500E
Adapter-Elektrowerkzeuge	HT5100E, HT6500E, LB5750E, BC3800E
Gewicht (ohne Netzteil)	8,9 Kg

BESCHREIBUNG

IHR AKKUSATZ (Abb. A)

1. Akku
2. LCD-Anzeige
3. Kabel
4. Adapter (separat erhältlich)
5. Schalterknopf
6. Freigabeknopf
7. Befestigungssloch
8. Gurtschnalle
9. Gurtzeug
10. Halterung
11. Beckengurt
12. Bausatz der rotierenden Stange
13. Halterung und Gurtzeug (separat erhältlich)
14. Hüftpolster (separat erhältlich)

BEDIENUNG

BETRIEBSANZEIGE AM AKKU

Dieser Akku ist mit einer LCD-Anzeige versehen, die das EGO Logo, den aktuellen Akkuladestand und Fehlercodes anzeigt. Wenn Sie den Schalterknopf des Akkus drücken, leuchtet die LCD-Anzeige 10 Sekunden lang und zeigt nacheinander das EGO Logo, und den Akkuladestand an.

- Die Anzeige leuchtet während des Gebrauchs und Aufladens weiter.
- Wenn die Akkuleistung unter 5 % beträgt, zeigt die Leistungsanzeige „**LOW**“ (niedrig) an.

SCHUTZ DES AKKUS

Die Akkuelektronik schützt den Akku vor extremen Temperaturen, Überstrom, Tiefentladung und einer zu langen Aufladung. Um den Akku vor Beschädigungen zu schützen und seine Lebensdauer zu verlängern, schaltet die Akkuelektronik den Akku aus, bevor er überladen werden kann oder die Temperatur während des Gebrauchs zu stark ansteigt oder sinkt. Dies kann bei extrem großen Drehmomenten, beim Festfahren und beim Blockieren passieren.

- Während des Ladevorgangs schaltet sich der Akku aus und auf der LCD-Anzeige wird „**ERROR**“ (Fehler) und „**OVER TEMPERATURE**“ (außerhalb des zulässigen Temperaturbereichs) angezeigt, wenn seine Temperatur über 45°C steigt oder unter 0°C fällt. Sobald die Temperatur wieder normal ist, nach etwa 90 Minuten, beginnt der Akku wieder automatisch zu funktionieren. Anderfalls schaltet sich der Akku aus. Wenn Sie den Adapter wieder auf das Ladegerät schieben, können Sie den Ladevorgang erneut aktivieren.
- Der Akku schaltet sich aus und auf der LCD-Anzeige wird „**ERROR**“ (Fehler) und „**CAN'T BE CHARGED**“ (Laden nicht möglich) angezeigt, wenn die Spannung einer Batteriezelle 4,3 V überschreitet. Es empfiehlt sich, den Akku unverzüglich zu entladen. Wenn dieses Problem wiederholt auftritt, wenden Sie sich bitte an einen EGO-Kundendienst.
- Wenn der Akku entladen ist, schaltet er sich aus und auf der LCD-Anzeige wird „**ERROR**“ und „**OVER TEMPERATURE**“ angezeigt, wenn die Temperatur höher als 60°C oder niedriger als -20°C ist. Der Akku wird in beiden Fällen den Betrieb wieder fortsetzen, sobald eine normale Temperatur erreicht wird, und das Elektrowerkzeug kann erneut gestartet werden.
- Der Akku schaltet sich aus und die LCD-Anzeige zeigt „**ERROR**“ (Fehler) und „**OVER LOAD**“ (Überladung) an, wenn der maximale Entladestrom 40 A überschreitet. Es empfiehlt sich, die Arbeit abzubrechen und einen Kundendienst-Techniker zurate zu ziehen.

⚠️ WARNUNG: Sie sollten unter keinen Umständen den Akkusatz erhitzen.

AUFLADEN DES AKKUS

Der Akku wird nicht vollständig geladen ausgeliefert. Vor dem ersten Gebrauch sollte der Akku aufgeladen werden.

⚠️ WARNUNG: Laden Sie den Akku nicht im Freien auf und schützen Sie ihn vor nassen oder feuchten Bedingungen. Wenn Wasser in das Ladegerät oder den Akku eindringt, besteht erhöhte Stromschlaggefahr. Um mehr zu erfahren, lesen Sie bitte die Bedienungsanleitung des EGO CH5500E Schnellladergerätes.

1. Verbinden Sie das Ladegerät (CH5500E) mit der Stromversorgung (220 - 240 V~ 50 Hz).
2. Verbinden Sie den Stecker mit der Buchse am Akku-Adapter, bis Sie ein zweimaliges „Klicken“ hören (Abb. B).

Teilebezeichnung der Abb. B:

B-1	Stecker
B-2	Adapter

- Schieben Sie den Adapter auf das Ladegerät, und zwar auf die gleiche Weise wie andere EGO Akkus.
- Während der Akku lädt, leuchtet die LCD-Anzeige und ermöglicht die Ladekapazität abzulesen. Bei 100 % ist der Akku voll aufgeladen. Warten Sie, bis das Kühlgebläse stillsteht, entfernen Sie den Akku aus dem Ladegerät und ziehen Sie den Ladegerätestecker aus der Steckdose.
- Der Akku lädt sich vollständig auf, wenn er auf dem Ladegerät gelassen wird, er ist aber vor dem Überladen geschützt. Es empfiehlt sich jedoch, dass Sie den Ladevorgang beenden, sobald der Akku voll aufgeladen ist.

HINWEIS:

- Wenn Sie den Stecker nicht vollständig eingesteckt haben, blinkt die LCD-Anzeige kontinuierlich.
- Eine deutlich kürzere Laufzeit nach dem vollständigen Aufladen des Akkus weist daraufhin, dass der Akku allmählich verbraucht ist und ausgewechselt werden muss.
- Beim Aufladen wird das Ladegerät warm. Dies ist eine normale Betriebseigenschaft des Ladegerätes. Laden Sie Akkus an einem gut belüfteten Ort auf.
- Der Akku geht in den Stand-by-Modus, wenn er 72 Stunden lang nicht benutzt wird. Dies kann den LADE-Vorgang beeinträchtigen. Drücken Sie in diesem Fall zuerst den Schalter, um den Akku vor dem Laden zu aktivieren.

VERBINDEN UND TRENNEN VON „HALTERUNG MIT GURTZEUG“ MIT DEM AKKU

Verbinden

Setzen Sie den Akku in die „Halterung mit Gurtzeug“ und schieben Sie ihn, bis er mit einem Klicken einrastet (Abb. C).

Trennen

Drücken Sie den Freigabeknopf hinter dem Tragegriff zum Lösen des Akkus und ziehen Sie den Akku nach oben (Abb. D).

Teilebezeichnung der Abb. D:

D-1	Freigabeknopf
D-2	Tragegriff

ANLEGEN DES GURTZEUGS MIT EINGESETZTEM AKKU

Für den normalen Betrieb wird der Akku mithilfe der „Halterung mit Gurtzeug“ auf dem Rücken getragen. Um zu verhindern, dass Sie ermüden, und für mehr Komfort beim Arbeiten ist die Trageplatte mit einem Beckengürtelgelenk versehen, das Bewegungsfreiheit gewährleistet.

Die Länge des Beckengurtes und der Schultergurte kann nach Belieben angepasst werden. Das Rückenpolster sollte eng und fest an Ihrem Rücken anliegen.

- Stellen Sie die Länge des Beckengurtes vor Aufnahme der normalen Arbeit ein, sodass er bequem sitzt. Sie können die Länge an Ihren Körperumfang mithilfe der Schnalle anpassen. Schieben Sie dann die zwei Teile der Gurtschnalle ineinander, bis Sie ein Klicken hören (Abb. E und F). Um das Gurtzeug mit dem Akku abzulegen, drücken Sie den Knopf am Gurt und ziehen Sie die zwei Teile auseinander.
- Passen Sie die Länge der Schultergurte anhand der Gurtschnallen an. Das Gurtzeug sollte angemessen gestrafft werden, um entsprechenden Benutzerkomfort zu gewährleisten.

ANBRINGEN UND ABNEHMEN DES AKKUS

Führen Sie das Kabel des Akkus um die Seite des Körpers herum und verbinden Sie den Adapter mit dem 1,5 m langen Verbindungskabel. Befolgen Sie dazu die Anweisungen in der Bedienungsanleitung des jeweiligen EGO Geräts.

⚠️ WARNUNG: Nehmen Sie in einem Notfall den Akku sofort von Ihrer Schulter. Um den Akku schnell abzulegen, lösen Sie die Gürtelschnalle und nehmen Sie die Schultergurte an jeder Seite ab.

⚠️ WARNUNG: Ziehen Sie die Schultergurte nicht zu straff, da Sie sonst Schwierigkeiten haben werden, den Akku abzulegen.

⚠️ WARNUNG: Nur bestimmte EGO Produkte sind für den Gebrauch mit dem Akku geeignet, nämlich die Heckenschere (HT5100E, HT6500E), der Bläser (LB5750E) und die Motorsense (BC3800E). Wir empfehlen, den Akku nicht mit anderen Elektrowerkzeugen zu benutzen.

WARTUNG

⚠️ WARNUNG: Der Akku darf nur vom EGO Kundendienst und qualifizierten Technikern repariert oder ersetzt werden.

⚠️ WARNUNG: Vor dem Wechseln von Gerätezubehör sowie vor Reinigungs- oder Wartungsarbeiten immer zuerst den Akku vom Gerät abnehmen, um schwere Verletzungen zu vermeiden.

⚠️ WARNUNG: Verwenden Sie für die Wartung nur baugleiche EGO Ersatzteile. Die Verwendung anderer Teile kann zu gefährlichen Situationen führen oder das Gerät beschädigen.

⚠️ WARNUNG: Falls das Reinigen mit Druckluft die einzige Methode ist, die zur Verfügung steht, tragen Sie immer eine Sicherheitsbrille mit Seitenschutz. Falls bei dem Vorgang Staub entsteht, tragen Sie außerdem eine Staubmaske.

ALLGEMEINE WARTUNG

Verwenden Sie keine Lösungsmittel zum Reinigen von Kunststoffteilen. Die meisten Kunststoffe reagieren empfindlich auf die verschiedenen handelsüblichen Lösungsmittel und können durch deren Benutzung beschädigt werden. Verwenden Sie zum Entfernen von Schmutz, Staub, Öl, Fett usw. ein sauberes Tuch.

⚠️ WARNUNG: Achten Sie immer darauf, dass Bremsflüssigkeit, Benzin, Erzeugnisse auf Erdölbasis, Kriechöle usw. nicht mit den Kunststoffteilen in Kontakt kommen. Chemikalien können Kunststoffe angreifen, mechanisch schwächen oder zerstören, was zu schweren Verletzungen führen kann.

AKKU

Der Akku besteht aus aufladbaren Lithium-Ionen-Zellen. Wie lange mit einer Ladung gearbeitet werden kann, hängt von der Art der verrichteten Arbeit ab. Der Akku dieses Werkzeugs ist technisch auf eine maximale Einsatzdauer ohne Komplikationen ausgelegt. Wie alle Akkus ist auch dieser irgendwann verbraucht.

Der Akku darf nicht zerlegt oder durch andere Zellen ersetzt werden. Der Umgang mit dem Akku, insbesondere beim Tragen von Ringen und Schmuck, kann zu schweren Verbrennungen führen. Um die längstmögliche Akkulaufzeit zu erhalten, muss die Bedienungsanleitung genau gelesen und verinnerlicht werden.

⚠️ WARNUNG: Es empfiehlt sich, den Stecker des Ladeegerätes zu ziehen und den Akku zu entnehmen, wenn er nicht gebraucht wird.

ENTFERNEN DES AKKUS UND RECYCLING-VORBEREITUNG



Li-ion

Ladegeräte und Batterien/Akkus dürfen nicht im Hausmüll entsorgt werden!

Im Einklang mit der europäischen Richtlinie 2012/19/EG müssen elektrische und elektronische Altgeräte separat gesammelt und umweltgerecht entsorgt werden. Gleiches gilt auch für defekte oder verbrauchte Akkus/Batterien nach der europäischen Richtlinie 2006/66/EG.

Genaue Informationen über die vorhandenen Recycling- und/oder Entsorgungsmöglichkeiten erhalten Sie bei der jeweils zuständigen Behörde.

⚠️ WARNUNG: Wenn der Akku zur Entsorgung bzw. Wiederverwertung aus dem Werkzeug genommen wird, müssen die elektrischen Kontakte des Akkus mit Klebeband abgeklebt werden. Versuchen Sie nicht, den Akku zu zerstören, zu zerlegen oder bestimmte Komponenten auszubauen. Lithium-Ionen-Akkus müssen vorschriftsmäßig recycelt bzw. entsorgt werden. Die elektrischen Kontakte dürfen außerdem niemals mit Metallobjekten und/oder Körperteilen berührt werden, da hierbei die Gefahr eines Kurzschlusses besteht. Von Kindern fernhalten. Bei Nichteinhaltung dieser Warnhinweise besteht Brandgefahr und/oder schwere Verletzungsgefahr.

FEHLERBEHEBUNG

PROBLEM	URSACHE	LÖSUNG
Das Elektrowerkzeug funktioniert nicht.	<ul style="list-style-type: none"> ■ Der Adapter des Akkus ist nicht mit dem Elektrowerkzeug verbunden. ■ Kein elektrischer Kontakt zwischen dem Gerät und Akku. ■ Der Akku ist leer. ■ Der Akku oder das Gerät ist zu heiß. ■ Das Kabel oder der Adapter ist defekt. 	<ul style="list-style-type: none"> ■ Akku am Gerät anschließen. ■ Adapter herausziehen, Kontakte überprüfen und Adapter wieder verbinden. ■ Akkusatz aufladen. ■ Akku oder Gerät abkühlen lassen, bis die Temperatur auf die normalen Werte gesunken ist. ■ Wenden Sie sich an den EGO Kundendienst.
„OVER TEMPERATURE“ wird auf der LCD-Anzeige angezeigt.	<ul style="list-style-type: none"> ■ Die Temperatur des Akkus liegt über bzw. unter dem zulässigen Wert. 	<ul style="list-style-type: none"> ■ Laden oder Entladen abbrechen, bis die Temperatur wieder im normalen Bereich liegt.
„CAN'T BE CHARGED“ wird auf der LCD-Anzeige angezeigt.	<ul style="list-style-type: none"> ■ Die Spannung der Akkuzelle überschreitet 4,3 V. 	<ul style="list-style-type: none"> ■ Der Ladevorgang ist unverzüglich abzubrechen, der Akku darf sich jedoch weiter entladen. Wenn sich dieser Vorfall mehrmals ereignet, wenden Sie sich an den EGO Kundendienst.
LCD-Anzeige blinkt kontinuierlich.	<ul style="list-style-type: none"> ■ Der Stecker ist nicht vollständig im Adapter eingesteckt oder der Akku wurde mit einem fremden Elektrowerkzeug verbunden. 	<ul style="list-style-type: none"> ■ Stecker erneut in die Buchse am Akku-Adapter stecken, bis ein zweimaliges Klicken zu hören ist. Benutzen Sie EGO Elektrowerkzeuge.

GARANTIE

EGO GEWÄHRLEISTUNGSRICHTLINIE

Bitte besuchen Sie unsere website egopowerplus.com mit den kompletten EGO Garantiebedingungen.

LISEZ TOUTES LES INSTRUCTIONS !



LISEZ LE MANUEL D'UTILISATION

⚠ Risques résiduels! Les personnes portant des appareils électroniques, par exemple des stimulateurs cardiaques, doivent consulter leur(s) médecin(s) avant d'utiliser ce produit. L'utilisation d'un équipement électrique près d'un stimulateur cardiaque peut provoquer des interférences ou la panne du stimulateur cardiaque.

⚠ AVERTISSEMENT: Pour garantir la sécurité et la fiabilité, toutes les réparations et tous les changements de pièce doivent être effectués par un réparateur qualifié.

SYMBOLES DE SÉCURITÉ

L'objectif des symboles de sécurité est d'attirer votre attention sur des dangers potentiels. Les symboles de sécurité et les explications les accompagnant doivent être lus avec attention et compris. Les symboles de mise en garde ne permettent pas par eux-mêmes d'éliminer les dangers. Les consignes et mises en garde ne se substituent pas à des mesures de prévention appropriées des accidents.

⚠ AVERTISSEMENT: Avant d'utiliser cet outil, veuillez à lire et à comprendre toutes les consignes de sécurité du guide d'utilisation, notamment tous les symboles d'alerte de sécurité comme « **DANGER** », « **AVERTISSEMENT** » et « **MISE EN GARDE** ». Ne pas respecter toutes les consignes listées ci-après peut provoquer un choc électrique, un incendie et/ou des blessures corporelles graves.

⚠ AVERTISSEMENT: Risques d'incendie et de brûlures. Ne démontez pas, ne chauffez pas au-delà de 100 °C et n'incinerez pas la batterie. Rangez la batterie hors de portée des enfants et dans son emballage d'origine jusqu'à son utilisation. Mettez la batterie usagée au rebut rapidement et conformément aux réglementations locales relatives au recyclage et aux déchets.

CONSIGNES DE SÉCURITÉ

Cette page illustre et décrit les symboles de sécurité qui peuvent être présents sur ce produit. Lisez, comprenez et respectez toutes les instructions présentes sur l'outil avant d'essayer de l'assembler et de l'utiliser.

	Alerte de sécurité	Indique un risque de blessure corporelle potentielle.
	Lire le manuel d'utilisation	Pour réduire le risque de blessures, l'utilisateur doit lire et comprendre le manuel d'utilisation avant d'utiliser ce produit.
	Li-ion Symbole de recyclage	Ne jetez pas les batteries et les piles avec les ordures ménagères, ni dans un feu ou dans de l'eau. Les batteries/piles doivent être collectées, recyclées ou mises au rebut d'une manière respectueuse de l'environnement.
	Ne pas exposer à la pluie	Ne pas utiliser sous la pluie et ne pas laisser dehors quand il pleut.
	CE	Ce produit est conforme aux directives CE applicables.
	WEEE	Les produits électriques usagés ne doivent pas être jetés avec les ordures ménagères. Apportez-les dans un centre de recyclage agréé.
V	Volt	Tension
A	Ampères	Courant
W	Watt	Alimentation
min	Minutes	Durée
	Courant continu	Type ou caractéristique du courant

FR

⚠ AVERTISSEMENT: Lisez et comprenez toutes les instructions. Ne pas respecter toutes les instructions peut provoquer un choc électrique, un incendie et/ou des blessures corporelles graves. Le terme « outil électrique » utilisé dans tous les avertissements énumérés désigne les outils de jardin fonctionnant sur batterie (sans fil) EGO Power+.

SÉCURITÉ DE L'AIRE DE TRAVAIL

- **Maintenez l'aire de travail propre et bien rangée.** Une zone de travail en désordre ou mal éclairée augmente les risques d'accident.
- **N'utilisez pas les outils électriques dans les environnements explosifs, par exemple en présence de liquides, gaz ou poussières inflammables.** Les outils électriques génèrent des étincelles pouvant enflammer les poussières et vapeurs.

SÉCURITÉ ÉLECTRIQUE

- **N'exposez pas les outils électriques à la pluie ou à un environnement mouillé.** Si de l'eau pénètre dans un outil électrique, cela accroît le risque de choc électrique.
- **Utilisez uniquement avec les chargeurs et les outils électriques indiqués dans le paragraphe «SPÉCIFICATIONS».**

UTILISATION ET ENTRETIEN DES OUTILS ALIMENTÉS PAR BATTERIE

- **Rechargez-les exclusivement avec les chargeurs spécifiés par le fabricant.** Un chargeur adapté à un type de batterie peut présenter un risque d'incendie s'il est utilisé avec une batterie différente.
- **Utilisez la batterie uniquement avec des outils électriques spécifiquement désignés.** L'utilisation de tout autre outil électrique peut créer un risque de blessures et d'incendie.
- **Lorsque la batterie n'est pas utilisée, elle doit être rangée loin de tout objet métallique, tel que trombone, pièce de monnaie, clef, clou, vis et tout autre petit objet métallique qui risquerait de mettre en contact ses bornes.** Court-circuiter les bornes de la batterie peut provoquer des brûlures et un incendie.
- **Si la batterie est soumise à des conditions d'utilisation excessives, du liquide peut s'en échapper. Évitez tout contact avec ce liquide.** En cas de contact accidentel, rincez à grande eau. En cas de contact avec les yeux, vous devez en outre consulter un médecin. Le liquide qui s'échappe de la batterie peut provoquer des irritations et des brûlures.
- **Ne démontez pas, n'ouvrez pas et ne lacérez pas les batteries ou les accumulateurs.**
- **N'exposez pas les batteries ou les accumulateurs à de la chaleur ou à des flammes.** Ne les rangez pas à la lumière directe du soleil.

- **Ne court-circuitez pas une batterie ou un accumulateur.** Ne mettez pas des batteries ou des accumulateurs en désordre dans une boîte ou un tiroir, car ils risquent de se court-circuiter les uns les autres ou d'être court-circuités par des objets métalliques.
- **Ne retirez pas un accumulateur ou une batterie de son emballage d'origine avant de commencer à l'utiliser.**
- **Ne soumettez pas les batteries ou les accumulateurs à des chocs mécaniques.**
- **Si une batterie fuit, veillez à ce que le liquide n'entre pas en contact avec la peau ou les yeux.** En cas de contact, lavez la zone contaminée avec beaucoup d'eau et consultez un médecin.
- **N'utilisez aucun chargeur autre que celui spécifiquement fourni pour être utilisé avec l'équipement.**
- **N'utilisez aucune batterie ni aucun accumulateur non conçu pour être utilisé avec l'outil.**
- **N'utilisez pas simultanément des batteries de fabricants, types, capacités ou tailles différents dans un équipement.**
- **Maintenez les batteries et les accumulateurs hors de portée des enfants.**
- **Consultez immédiatement un médecin si un accumulateur ou une batterie a été avalé.**
- **Achetez toujours la batterie ou l'accumulateur approprié à l'équipement.**
- **Veillez à ce que les batteries et les accumulateurs restent propres et secs.**
- **Essuyez les bornes de la batterie ou de l'accumulateur avec un chiffon propre et sec quand elles sont sales.**
- **Les batteries et les accumulateurs secondaires doivent être rechargés avant utilisation.** Utilisez toujours le chargeur approprié et consultez les consignes du fabricant ou du manuel d'utilisation de l'équipement pour connaître les instructions de recharge appropriées.
- **Ne laissez pas une batterie en recharge pendant longtemps quand vous ne l'utilisez pas.**
- **Après toute période de stockage prolongée, il peut être nécessaire de recharger et de décharger plusieurs fois les batteries ou les accumulateurs pour qu'ils atteignent leurs performances optimales.**
- **Les performances des batteries et des accumulateurs secondaires sont optimales quand ils sont utilisés à une température ambiante normale (20 °C ± 5 °C).**

- **Conservez le manuel d'utilisation d'origine pour consultation ultérieure.**
- **Utilisez exclusivement la batterie ou l'accumulateur à l'application pour laquelle il a été conçu.**
- **Quand cela est possible, retirez la batterie de l'outil quand vous ne l'utilisez pas.**
- **Mettez-la au rebut d'une manière appropriée.**

RÉPARATION

- **Respectez les instructions du chapitre Entretien de ce manuel d'utilisation.** L'utilisation de pièces non autorisées ou le non-respect des instructions d'entretien peut créer un risque de choc électrique ou de blessure.

CONSIGNES DE SÉCURITÉ SPÉCIFIQUES

- **Apprenez à connaître votre outil électrique. Lisez attentivement le manuel d'utilisation. Apprenez les applications et limites de l'outil, ainsi que les dangers potentiels spécifiques intrinsèques à l'outil.** Respecter cette règle permet de réduire les risques de choc électrique, d'incendie et de blessures graves.
- **Les outils alimentés par batterie n'ont pas à être branchés dans une prise électrique, ils sont donc toujours prêts à fonctionner.** Soyez conscient qu'il y a des dangers potentiels quand vous n'utilisez pas votre outil alimenté par batterie. Retirez toujours la batterie avant de changer un accessoire. Respecter cette règle permet de réduire les risques de choc électrique, d'incendie et de blessures corporelles graves.
- **Ne placez pas les outils fonctionnant sur batterie ni les batteries près d'un feu ou d'une source de chaleur.** Cela permet de réduire le risque d'explosion et de blessures potentielles.
- **Ne jetez pas les batteries dans un feu pour vous en débarrasser.** Les cellules peuvent exploser. Consultez les réglementations locales pour connaître d'éventuelles dispositions spéciales de mise au rebut.
- **N'ouvrez pas la batterie et ne la mutilez pas.** L'électrolyte sortant des batteries est corrosif et peut blesser les yeux et la peau. Il peut être toxique s'il est avalé.
- **N'écrasez pas, ne faites pas tomber et n'endommagez pas la batterie.** N'utilisez pas une batterie ou un chargeur qui est tombé ou a reçu un coup violent. Une batterie endommagée peut exploser. Mettez au rebut immédiatement et d'une manière appropriée toute batterie endommagée ou qui est tombée.

- **Les batteries libèrent du gaz hydrogène et peuvent exploser en présence d'une source d'embrassement, par exemple une flamme pilote.** Pour réduire le risque de blessure corporelle grave, n'utilisez jamais aucun produit sans fil en présence d'une flamme nue. Une batterie qui expose peut projeter des débris et des substances chimiques. En cas d'exposition, rincez immédiatement à grande eau.
- **Ne rechargez pas la batterie dans un endroit humide ou mouillé.** Respecter cette règle permet de réduire le risque de choc électrique.
- **Pour des résultats optimaux, votre batterie doit être rechargée dans un endroit où la température est supérieure à 0 °C et inférieure à 40°C.** Ne la stockez pas à l'extérieur ou dans un véhicule.
- **Dans des conditions d'utilisation ou de température extrêmes, la batterie peut fuir.** Si du liquide entre en contact avec votre peau, lavez-la immédiatement avec de l'eau et du savon, puis neutralisez le liquide avec du vinaigre ou du jus de citron. Si du liquide entre en contact avec vos yeux, rincez-les avec beaucoup d'eau propre pendant 10 minutes au minimum, puis consultez immédiatement un médecin. Respecter cette règle permet de réduire le risque de blessures corporelles graves.
- **Veillez à ce qu'il n'y ait pas d'essence, d'huile, de produit à base de pétrole, etc., qui entre en contact avec les pièces en plastiques.** Ces substances contiennent des composés chimiques pouvant endommager, fragiliser ou détruire le plastique.
- **Faites réparer la batterie par un réparateur qualifié ne devant utiliser que des pièces de rechange identiques.** Cela permet de préserver la sécurité de la batterie.

Conservez ces instructions. Consultez-les fréquemment et servez-vous-en pour instruire les autres personnes devant utiliser cet outil. Si vous prêtez cet outil à un tiers, prêtez-lui également ce manuel d'utilisation pour éviter l'utilisation incorrecte du produit et des blessures potentielles.

SPÉCIFICATIONS

Tension nominale	56 V ---
Capacité nominale	1300 Wh
Adaptateur de charge	CH5500E
Adaptateur d'outils électriques	HT5100E, HT6500E, LB5750E, BC3800E
Poids (sans l'adaptateur)	8,9 Kg

FR

DESCRIPTION

DESCRIPTION DE VOTRE BATTERIE (schéma A)

- Batterie
- Indicateur LCD
- Câble
- Adaptateur (vendu séparément)
- Bouton de l'interrupteur
- Bouton de déverrouillage
- Orifice de montage
- Boucle de ceinture
- Harnais
- Cadre
- Ceinture
- Assemblage de la barre de rotation
- Cadre + Harnais (vendus séparément)
- Coussinet de hanche (vendu séparément)

UTILISATION

INDICATEUR D'ALIMENTATION DE LA BATTERIE

Cette batterie est équipée d'un indicateur LCD qui indique le logo EGO, le niveau réel de capacité de la batterie et les codes d'erreur. Lorsque vous appuyez sur le bouton de l'interrupteur de la batterie, l'indicateur LCD s'allume pendant 10 secondes et affiche le logo EGO, et l'état de la batterie par séquences.

- L'indicateur restera allumé pendant l'utilisation et la charge
- Si la capacité de la batterie est inférieure à 5%, l'indication de capacité indiquera «**LOW**».

PROTECTION DE LA BATTERIE

Le circuit de la batterie la protège d'une température, d'une recharge ou d'une décharge excessive. Pour éviter que la batterie ne soit détériorée et pour prolonger sa durée de vie, le circuit de la batterie l'éteint si elle est en surcharge ou si sa température devient trop élevée pendant l'utilisation. Cela peut se produire en cas de couple extrêmement élevé, de coincement ou de calage.

- En cas de charge, la batterie s'éteint et «**ERROR**» et «**OVER TEMPERATURE**» s'affichent sur l'indicateur LCD lorsque sa température dépasse 45°C ou baisse à moins de 0°C. Une fois que la température redevient normale en 90 minutes, la batterie se remettra à fonctionner automatiquement. Autrement, la batterie s'éteindra. Faites glisser l'adaptateur sur le chargeur à nouveau pour réactiver le chargement.
- La batterie s'éteint et «**ERROR**» et «**CAN'T BE CHARGED**» s'affichent sur l'indicateur LCD lorsque la tension d'une cellule dépasse 4.3V. Il est recommandé de décharger complètement la batterie avant de la recharger. Si ce problème se répète plusieurs fois, veuillez contacter les centres de service EGO.
- En cas de déchargement, la batterie s'éteindra en affichant «**ERREUR**» et «**SURCHAUFFE**» sur l'écran LCD si sa température dépasse 60°C ou tombe en dessous de -20°C. La batterie se remettra en marche dans les deux conditions lorsqu'une température normale reviendra, ce qui permettra à l'outil électrique de redémarrer.
- La batterie s'éteint et «**ERROR**» et «**ERROR OVER LOAD**» s'affichent sur l'indicateur LCD lorsque le courant de décharge maximum dépasse 40A. Il est recommandé d'arrêter l'outil et de contacter votre technicien d'entretien pour l'assistant.

⚠ AVERTISSEMENT: Vous ne devez jamais chauffer la batterie en aucun cas.

CHARGE DE LA BATTERIE

La batterie est fournie partiellement chargée. Avant de l'utiliser la première fois, chargez la batterie.

⚠ AVERTISSEMENT: N'utilisez pas le chargeur en extérieur et ne l'exposez pas à des environnements humides ou mouillés. Si de l'eau pénètre dans le chargeur ou dans la batterie, il y a un risque accru de choc électrique. Pour plus de détails, veuillez consulter le manuel d'utilisation du chargeur rapide EGO CH5500E.

1. Branchez le chargeur (CH5500E) dans une prise électrique (220-240V ~ 50Hz).

2. Branchez la prise dans l'adaptateur de batterie jusqu'à ce que «deux clics» se produisent (schéma B).

Schéma B. Description des pièces ci-dessous:

B-1	Prise
B-2	Adaptateur

3. Faites glisser l'adaptateur sur le chargeur vers le bas en utilisant la même méthode de fonctionnement que les autres batteries EGO.
4. Pendant que la batterie est en cours de charge, l'indicateur LCD s'allume, permettant de lire la capacité de charge; à 100% la batterie est complètement chargée. Attendez que le ventilateur de refroidissement s'arrête, puis retirez la batterie du chargeur et débranchez le chargeur de la prise électrique.
5. Si la batterie complètement rechargée est laissée sur le chargeur, elle ne subira pas de surcharge. Cependant, il est recommandé de cesser de charger une fois la charge complète.

REMARQUE:

- Si vous n'avez pas inséré complètement la prise, l'indicateur LCD clignote continuellement.
- La réduction significative de l'autonomie après la recharge complète de la batterie indique qu'elle est en fin de vie et doit être remplacée.
- Le chargeur peut chauffer pendant la recharge. Cela fait partie du fonctionnement normal du chargeur. Rechargez dans un endroit bien aéré.
- La batterie passera en mode veille si elle n'est pas utilisée pendant 72h. Cela peut affecter le processus de **CHARGEMENT**. Dans ce cas, appuyez d'abord sur le bouton d'alimentation pour activer la batterie avant le chargement.

CONNEXION ET DÉCONNEXION DU «CADRE + HARNAIS» AVEC LA BATTERIE

Pour connecter

Placez la batterie dans le «cadre + harnais» et faites-la glisser jusqu'à ce qu'un déclic se produise (schéma C).

Pour déconnecter

Appuyez sur le bouton de déverrouillage situé derrière l'ouverture de la poignée du bloc d'alimentation et tirez-le vers le haut (schéma D).

Schéma D - Description des pièces ci-dessous:

D-1	Bouton d'ouverture
D-2	Poignée de transport

MONTAGE DU HARNAIS AVEC LA BATTERIE

En fonctionnement normal, la batterie avec le «cadre + harnais» est portée sur le dos. Pour éviter la fatigue et pour travailler confortablement, la plaque porteuse est équipée d'un joint de ceinture sous-abdominale, ce qui garantit la liberté de mouvement.

La longueur de ceinture de la ceinture sous-abdominale et des bretelles peut être ajustée librement. Le coussin arrière doit s'ajuster fermement et solidement sur le dos.

- Ajustez la longueur de la ceinture afin qu'elle soit confortable avant le travail, la longueur doit s'adapter à votre taille de corps avec la boucle de ceinture. Ensuite, insérez les deux parties de la boucle de ceinture l'une dans l'autre jusqu'à ce qu'un déclic se produise (schémas E et F). Pour enlever le harnais avec la batterie, appuyez sur le bouton de la ceinture et écartez les deux parties.
- Ajustez la longueur des bretelles avec la boucle des sangles. Le harnais doit être correctement serré pour assurer le confort.

ASSEMBLAGE OU DÉMONTAGE DE LA BATTERIE

Guidez le câble de la batterie autour du côté du corps et branchez l'adaptateur sur le câble de raccordement de 1,5 m. Respectez les instructions du manuel d'utilisation du produit EGO spécifique.

⚠ AVERTISSEMENT: En cas d'urgence, retirez immédiatement la batterie de vos épaules. Desserrer la boucle de ceinture et enlever le harnais d'épaules de chaque côté constitue une méthode de retrait rapide.

⚠ AVERTISSEMENT: Ne serrez pas trop les bretelles, car cela peut rendre difficile le retrait de la batterie.

⚠ AVERTISSEMENT: Seuls certains produits EGO peuvent correspondre à la batterie, à savoir le taille-haie (HT5100E, HT6500E), le souffleur (LB5750E) et le coupe-bordures (BC3800E). Nous vous recommandons de ne pas utiliser la batterie sur d'autres outils électriques.

ENTRETIEN

⚠ AVERTISSEMENT: La batterie doit être réparée ou remplacée dans un centre de service qualifié et des techniciens EGO.

⚠ AVERTISSEMENT: Pour vous prémunir contre des blessures corporelles graves, retirez toujours la batterie de l'outil avant de changer un accessoire et avant toute opération de nettoyage ou d'entretien.

⚠ AVERTISSEMENT: Les réparations ne doivent être effectuées qu'avec des pièces de rechange EGO identiques. L'utilisation de toute autre pièce peut créer un danger ou détériorer le produit.

⚠ AVERTISSEMENT: Si le nettoyage à l'air comprimé est la seule méthode utilisée, portez toujours un masque de sécurité ou des lunettes de sécurité avec boucliers latéraux. L'utilisateur doit également porter un masque anti-poussières si l'utilisation génère des poussières.

ENTRETIEN GÉNÉRAL

N'utilisez pas de solvant pour nettoyer les pièces en plastique. La plupart des plastiques peuvent être détériorés par de nombreux solvants différents vendus dans le commerce. Utilisez des chiffons propres pour enlever les saletés, les poussières, l'huile, la graisse, etc.

⚠ AVERTISSEMENT: Veillez à ce que les pièces en plastique de l'outil n'entrent jamais en contact avec du liquide de frein, de l'essence, des produits à base de pétrole, du dégrissant, etc. Les produits chimiques peuvent endommager, fragiliser ou détruire les pièces en plastique, ce qui peut provoquer des blessures corporelles graves.

BATTERIE

La batterie est constituée de plusieurs accumulateurs rechargeables lithium-ion. L'autonomie permise par chaque recharge dépend du type de travail effectué. Les accumulateurs contenus dans cette batterie sont conçus pour nécessiter un entretien minimal pendant toute leur durée de vie. Néanmoins, comme tous les accumulateurs, ils finissent par s'user.

Ne désassemblez pas la batterie et n'essayez pas de remplacer ses accumulateurs. Manipuler les accumulateurs, notamment si l'on porte des bagues et des bijoux, peut provoquer des brûlures graves. Pour maximiser la durée de vie de la batterie, lisez et comprenez son manuel d'utilisation.

⚠ AVERTISSEMENT: Il est préférable de toujours débrancher le chargeur et de retirer la batterie lithium-ion quand ils ne sont pas utilisés.

RETRAIT ET PRÉPARATION DE LA BATTERIE AVANT RÉCYCLAGE



Ne jetez pas le chargeur de batterie, les batteries rechargeables/accumulateurs avec les ordures ménagères !

Li-ion

Conformément à la directive européenne 2012/19/UE, les équipements électriques et électroniques qui ne sont plus utilisables, et conformément à la directive européenne 2006/66/CE, les batteries rechargeables et les piles usagées ou défectueuses doivent être collectés séparément.

Contactez l'organisme local de gestion des déchets pour obtenir des informations concernant les possibilités existantes de mise au rebut et/ou de recyclage.

⚠ AVERTISSEMENT: Lors du retrait de la batterie pour la recycler ou la mettre au rebut, recouvrez ses contacts avec du ruban adhésif épais. N'essayez pas de détruire ou de démonter la batterie ni de retirer l'un de ses composants. Les batteries lithium-ion doivent être recyclées ou mises au rebut d'une manière appropriée. Ne touchez jamais leurs contacts avec des objets métalliques et/ou des parties de votre corps, car cela peut provoquer un court-circuit. Maintenez-les hors de portée des enfants. Ne pas respecter ces mises en garde peut provoquer des blessures graves et/ou un incendie.

DÉPANNAGE

PROBLÈME	URSACHE	LÖSUNG
L'outil électrique ne fonctionne pas.	<ul style="list-style-type: none"> ■ L'adaptateur de la batterie n'est pas attaché à l'outil électrique. ■ Il n'y a pas de contact électrique entre l'outil électrique et la batterie. ■ La batterie est déchargée. ■ La batterie ou l'outil électrique est trop chaud(e). ■ Le câble ou l'adaptateur ne fonctionne pas. 	<ul style="list-style-type: none"> ■ Insérez la batterie dans l'outil électrique. ■ Retirez la batterie, inspectez les contacts, puis réinsérez la batterie. ■ Rechargez la batterie. ■ Laissez la batterie ou l'outil électrique refroidir jusqu'à ce que la température devienne inférieure aux valeurs normales. ■ Contactez le service après-vente EGO.
« ERROR » et « OVER TEMPERATURE » s'affichent sur l'indicateur LCD.	<ul style="list-style-type: none"> ■ La température de la batterie dépasse ou est inférieure à la valeur spécifiée. 	<ul style="list-style-type: none"> ■ Arrêtez de charger ou de décharger jusqu'à ce que la température devienne normale.
« CAN'T BE CHARGED » s'affiche sur l'indicateur LCD.	<ul style="list-style-type: none"> ■ La tension d'une cellule dépasse 4.3V. 	<ul style="list-style-type: none"> ■ Arrêtez immédiatement la charge, mais la batterie peut se décharger. Si ce problème se répète plusieurs fois, contactez le centre service après-vente EGO.
L'indicateur LCD clignote de façon continue.	<ul style="list-style-type: none"> ■ La prise n'est pas complètement insérée dans l'adaptateur ou la batterie est connectée à un outil électrique non reconnu. 	<ul style="list-style-type: none"> ■ Réinsérez la prise dans l'adaptateur de batterie jusqu'à ce que «deux clics» se produisent. Utilisez les outils électriques EGO.

FR

GARANTIE

POLITIQUE DE GARANTIE EGO

Veuillez consulter le site egopowerplus.com pour trouver l'ensemble des modalités et conditions de la politique de garantie EGO.

¡LEA TODAS LAS INSTRUCCIONES!



LEER EL MANUAL DEL USUARIO

ES

⚠ ¡Riesgo residual! Aquellas personas con implantes electrónicos, tales como marcapasos, deberán consultar a su médico antes de utilizar este producto. La utilización de equipos eléctricos a proximidad de un marcapasos podría causar en este interferencias o averías.

⚠ ADVERTENCIA: Para garantizar la seguridad y fiabilidad de la herramienta, confíe cualquier reparación y sustitución de piezas que sea necesaria a personal técnico cualificado.

SÍMBOLOS RELACIONADOS CON LA SEGURIDAD

El propósito de los símbolos de seguridad es el de atraer su atención hacia los posibles peligros que conlleva la utilización del producto. Los símbolos de seguridad y las explicaciones que los acompañan requieren su máxima atención y comprensión. Por sí solos, los símbolos de advertencia no eliminan los posibles peligros que pudieran existir. Las instrucciones y advertencias que aquí se incluyen no son sustitutas en modo alguno de las medidas de prevención adecuadas que deben tomarse para evitar posibles accidentes.

⚠ ADVERTENCIA: Antes de utilizar esta herramienta, asegúrese de haber leído y entendido perfectamente todas las instrucciones incluidas en este Manual del usuario, incluidos todos los símbolos de aviso sobre seguridad, tales como **PELIGRO**, **ADVERTENCIA** y **PRECAUCIÓN**. De no observarse todas las instrucciones proporcionadas a continuación podría existir un riesgo de incendio, electrocución, así como de lesiones físicas graves.

⚠ ADVERTENCIA: Existe riesgo de provocar un incendio y sufrir quemaduras. No desmonte, incinere ni exponga el producto a temperaturas superiores a 100 °C. Mantenga el acumulador fuera del alcance de niños y guardado en su embalaje original hasta que vaya a utilizarlo. Elimine enseguida los acumuladores agotados cumpliendo las normativas locales sobre eliminación de residuos.

INSTRUCCIONES RELACIONADAS CON LA SEGURIDAD

Esta página muestra y describe los símbolos de seguridad que puede haber en este producto. Asegúrese de leer, comprender y cumplir todas las instrucciones que se indican en la máquina antes de proceder a su montaje y utilización.

	Aviso de seguridad	Indica una situación potencialmente peligrosa que, de no evitarse, podría dar lugar a lesiones físicas.
	Leer el Manual del usuario	Para reducir en lo posible el riesgo de lesiones, será necesario leer y entender perfectamente el Manual del usuario antes de proceder a utilizar este producto.
	Símbolos de reciclaje	No elimine los acumuladores o las pilas con la basura doméstica ni arrojándolos al agua o al fuego. Los acumuladores o las pilas deben recogerse, reciclarse o eliminarse respetando el medio ambiente.
	No exponga la herramienta a la lluvia	No utilice la herramienta bajo la lluvia ni la deje a la intemperie cuando esté lloviendo.
	CE	Este producto está en conformidad con las directivas de la CE aplicables.
	RAEE	Los productos eléctricos no deben eliminarse con la basura doméstica. Llévelos a un centro de reciclaje autorizado.
V	Voltios	Tensión
A	Amperios	Corriente
W	Vatio	Alimentación
min	Minutos	Tiempo
	Corriente continua	Tipo o característica de la corriente

⚠ ADVERTENCIA: Lea y comprenda todas las instrucciones. Si no se cumplen todas las instrucciones, puede producirse una descarga eléctrica, un incendio o lesiones graves. El término „herramienta eléctrica“ que aparece en muchas advertencias aquí incluidas se refiere a las herramientas a batería (inalámbricas) para césped y jardín de la gama EGO Power+.

SEGURIDAD EN LA ZONA DE TRABAJO

- **Mantenga la zona de trabajo limpia y bien iluminada.** Las áreas de trabajo desordenadas y oscuras favorecen los accidentes.
- **No utilice herramientas eléctricas en entornos explosivos, por ejemplo, en presencia de líquidos, gases o polvo inflamables.** Las herramientas eléctricas generan chispas que podrían actuar como detonante de vapores y partículas de polvo inflamables.

SEGURIDAD ELÉCTRICA

- **No exponga las herramientas eléctricas a la lluvia ni a entornos húmedos.** La penetración de agua en una herramienta eléctrica aumentará el riesgo de descarga eléctrica.
- **Utilizar solo con cargadores y herramientas eléctricas que se indican en el apartado „ESPECIFICACIONES“.**

UTILIZACIÓN Y CUIDADO DEL ACUMULADOR

- **Recargue el acumulador utilizando únicamente los tipos de cargadores especificados por el fabricante.** Un cargador adecuado para cierto tipo de acumulador podrá suponer un riesgo de incendio si se utiliza con un acumulador distinto.
- **Utilice el acumulador solo con herramientas eléctricas específicamente diseñadas para el mismo.** El uso de cualquier otro tipo de herramientas eléctricas puede provocar riesgo de lesiones o incendios.
- **Cuando no se esté utilizando el acumulador, manténgalo apartado de objetos metálicos como clips para papeles, monedas, llaves, clavos, tornillos, o cualquier otro objeto metálico pequeño que pudiera provocar un cortocircuito en sus terminales de corriente.** Un cortocircuito de los terminales de la batería puede ocasionar quemaduras o incendios.
- **En condiciones de uso intensivo, es posible que se produzca una fuga de ácido de los acumuladores. Evite el contacto. Enjuague con agua si se produce un contacto accidental. Si el líquido entra en**

contacto con los ojos, solicite también atención médica. El líquido emanado del acumulador podría causar irritación o quemaduras.

- **No desmonte, abra ni destruya los acumuladores ni las pilas.**
- **No exponga al calor ni al fuego los acumuladores y las pilas.** Evite guardarlo en lugares expuestos a la acción directa de los rayos del sol.
- **No cortocircuite los acumuladores ni las pilas.** No guarde los acumuladores ni las pilas de manera desordenada en el interior de una caja o cajón, donde existe el riesgo de que puedan cortocircuitarse con otros objetos metálicos.
- **No retire los acumuladores ni las pilas de su embalaje original hasta que vaya a utilizarlos.**
- **No someta los acumuladores ni las pilas a impactos mecánicos.**
- **En caso de producirse fugas en el acumulador, procure que el líquido no entre en contacto con la piel o los ojos.** En caso de contacto, enjuague la zona afectada con agua abundante y solicite atención médica.
- **No utilice ningún cargador que no haya sido específicamente diseñado para este equipo.**
- **No utilice ningún acumulador ni pila que no hayan sido diseñados para este equipo.**
- **No mezcle acumuladores ni pilas de diferentes marcas, capacidad, tamaño o tipo en un mismo dispositivo.**
- **Mantenga acumuladores y pilas fuera del alcance de niños.**
- **Solicite inmediatamente atención médica en caso de ingestión de pilas o acumuladores.**
- **Adquiera siempre el tipo de acumulador o pila correcto para el equipo en cuestión.**
- **Mantenga siempre pilas y acumuladores limpios y secos.**
- **Si se ensucian, limpie los terminales del acumulador o pila con un paño limpio y seco.**
- **Tanto los acumuladores como las pilas recargables deberán recargarse antes de utilizarse.** Utilice siempre el cargador adecuado y consulte las instrucciones de carga en el manual del fabricante o el manual del equipo.
- **No deje el acumulador constantemente en carga si no tiene pensado utilizarlo.**
- **Si el acumulador o la batería se ha almacenado durante mucho tiempo, puede que sea necesario recargar y descargar varias veces para obtener un rendimiento óptimo.**

- **Tanto los acumuladores como las pilas recargables proporcionan un rendimiento óptimo cuando se utilizan a una temperatura ambiente normal (20 °C ± 5 °C).**
- **Conserve la documentación original del producto para futuras consultas.**
- **Utilice únicamente la pila o el acumulador para el propósito que han sido diseñados.**
- **Si es posible, quite el acumulador de la herramienta cuando no la esté utilizando.**
- **Elimínelos de la manera adecuada.**
- **No aplaste, deje caer ni dañe el acumulador.**
No utilice un acumulador o cargador que se haya caído al suelo o haya recibido un golpe fuerte. Un acumulador dañado es propenso a explotar. Elimine inmediatamente del modo adecuado cualquier acumulador dañado o que se haya caído.
- **Los acumuladores liberan hidrógeno y podrían explotar en presencia de fuentes de ignición, como una llama piloto.** Para reducir en lo posible cualquier riesgo de sufrir lesiones graves, nunca utilice ninguna herramienta inalámbrica en presencia de llamas vivas. Al explotar un acumulador, podrían salir despedidos violentamente fragmentos y productos químicos peligrosos. En caso de exposición a los mismos, enjuague inmediatamente con agua.

SERVICIO TÉCNICO

- **Siga las instrucciones del apartado „Mantenimiento“ del presente manual.** La utilización de piezas no aprobadas por el fabricante, así como el incumplimiento de las instrucciones de mantenimiento, podría provocar riesgo de electrocución o lesiones.

PAUTAS DE SEGURIDAD ESPECÍFICAS

- **Familiarícese con su herramienta eléctrica. Lea detenidamente el manual del usuario. Infórmese de las diferentes aplicaciones y limitaciones de la herramienta, así como de los posibles riesgos específicos relacionados con el uso de la misma.** La observación de estas pautas contribuirá a reducir el riesgo de sufrir descargas eléctricas, lesiones graves, o provocar incendios.
- **Las herramientas que funcionan a batería no requieren enchufarse en una toma de corriente. Por lo tanto, siempre están listas para funcionar.** Tenga en cuenta los posibles peligros cuando no se utilice la herramienta a batería. Quite siempre el acumulador antes de cambiar accesorios. La observación de estas pautas contribuirá a reducir el riesgo de sufrir descargas eléctricas, lesiones graves, o provocar incendios.
- **No coloque acumuladores ni herramientas a batería cerca de fuentes de calor o llamas.** De esta forma se reducirá el riesgo de provocar explosiones y sufrir lesiones.
- **No elimine las baterías arrojándolas al fuego.** Sus celdas podrían explotar. Consulte la normativa local referente a los procedimientos de eliminación especiales previstos a tal efecto.
- **No abra la batería ni la dañe.** El electrolito que podría liberarse es corrosivo y podría provocar lesiones oculares o cutáneas. Además, podría ser tóxico si se ingiere.
- **No deje que las piezas de plástico entren en contacto con gasolina, aceites, o productos derivados del petróleo.** Dichas sustancias contienen productos químicos que podrían dañar, debilitar o destruir el plástico.
- **Las reparaciones del acumulador debe realizarlas un técnico cualificado, utilizando solo piezas de recambio idénticas a las originales.** Solo de este modo podrá garantizarse la seguridad de uso del acumulador.

Guarde estas instrucciones. Consúltelas con frecuencia y utilícelas para instruir a otras personas que vayan a utilizar esta herramienta. En caso de prestar esta herramienta a terceros, proporciónelas también estas instrucciones para evitar su uso incorrecto y posibles lesiones.

ESPECIFICACIONES

Tensión nominal	56 V ---
Capacidad nominal	1300 Wh
Adaptador del cargador	CH5500E
Adaptador de herramientas eléctricas	HT5100E, HT6500E, LB5750E, BC3800E
Peso (sin adaptador)	8,9 Kg

DESCRIPCIÓN

FAMILIARÍCESE CON SU ACUMULADOR (fig. A)

1. Acumulador
2. Indicador LCD
3. Cable
4. Adaptador (se vende por separado)
5. Botón interruptor
6. Botón de desbloqueo
7. Orificio de montaje
8. Hebilla del cinturón
9. Arnés
10. Bastidor
11. Cinturón
12. Barra giratoria MONTAJE
13. Bastidor + arnés (se vende por separado)
14. Almohadilla para la cadera (se vende por separado)

UTILIZACIÓN

INDICADOR DEL ACUMULADOR

Este acumulador está equipado con un indicador LCD que muestra el logotipo de EGO, la capacidad real de la batería y los códigos de error. Cuando se pulsa el interruptor de la batería, el indicador LCD se enciende durante 10 segundos y se muestra secuencialmente el logotipo de EGO, y el estado de la batería.

- El indicador seguirá encendido durante el uso y la carga.
- Si la capacidad de la batería es menor que el 5 %, en el indicador de la capacidad aparecerá „LOW“.

PROTECCIÓN DEL ACUMULADOR

El circuito integrado en el acumulador lo protege de temperaturas extremas, descarga o carga excesiva y sobrecorriente. Para proteger el acumulador de daños y prolongar su vida útil, el circuito integrado en el acumulador lo desactivará en caso de producirse sobrecargas o si se sobrecalienta durante su utilización. Esto puede producirse en situaciones de par de fuerza extremadamente alto, o si la herramienta se atasca o se usa de manera intensa.

- En caso de carga, el acumulador se apagará y en la pantalla LCD se indicará „ERROR“ y „OVER TEMPERATURE“ si la temperatura es mayor que 45°C o menor que 0°C. Cuando la temperatura se haya normalizado de nuevo al cabo de 90 minutos, la batería volverá a funcionar automáticamente. De lo contrario, la batería se apagará. Deslice otra vez el adaptador hacia abajo en el cargador para reactivar la carga.
- El acumulador se apagará y en la pantalla LCD se indicará „ERROR“ y „CAN'T BE CHARGED“ si la tensión de la batería es mayor que 4,3 V. Se recomienda descargar inmediatamente el acumulador. Si el problema se repite varias veces, póngase en contacto con los centros de servicio de EGO.
- En caso de descarga, el acumulador se apagará indicando „ERROR“ y „OVER TEMPERATURE“ en la pantalla LCD cuando la temperatura sea mayor que 60°C o menor que -20°C. En ambas situaciones, el acumulador volverá a funcionar cuando se restablezca la temperatura normal, y se podrá volver a arrancar la herramienta.
- El acumulador se apagará y en la pantalla LCD se indicará „ERROR“ y „OVER LOAD“ si la corriente de descarga máxima es mayor que 40 A. Se recomienda parar el trabajo y ponerse en contacto con el técnico de servicio para solicitar ayuda.

⚠ ADVERTENCIA: No debe calentarse el acumulador en ningún caso.

CARGAR EL ACUMULADOR

El acumulador se suministra parcialmente cargado. Antes de usarla por primera vez, hay que cargar la batería.

⚠ ADVERTENCIA: No cargue el acumulador al aire libre ni lo exponga a entornos húmedos o con excesiva condensación. La penetración de agua en el cargador o en el acumulador aumentará el riesgo de electrocución. Para conocer más detalles, consulte el manual del usuario del cargador rápido EGO CH5500E.

1. Enchufe el cargador (CH5500E) a la red eléctrica (220-240 V~ 50 Hz).
2. Introduzca el enchufe en la toma en el adaptador de la batería hasta que se produzcan dos „clics“ (fig. B).
Fig. B, ver a continuación la descripción de las piezas:

B-1	Enchufe
B-2	Adaptador

3. Deslice el adaptador sobre el cargador con el mismo método que otro acumulador EGO.
4. Mientras el acumulador se está cargando, el indicador LCD está encendido y se puede leer la capacidad de carga; cuando se alcance el 100 %, el acumulador estará completamente cargado. Espere hasta que el ventilador de refrigeración se haya detenido. Seguidamente, retire el acumulador del cargador y desenchufe el cargador de la red eléctrica.
5. El acumulador permanecerá totalmente cargado si se deja en el cargador enchufado a la red eléctrica, sin peligro de que llegue a sobrecargarse. No obstante, se recomienda parar la carga cuando se haya cargado completamente.

AVISO:

- Si no ha introducido el enchufe completamente en su lugar, la luz LCD parpadeará continuamente.
- Si tras haber recargado totalmente el acumulador se observa una disminución importante de su autonomía habitual, será indicativo de que el acumulador ha alcanzado el final de su vida útil y será necesario sustituirlo por otro nuevo.
- Es posible que el cargador se caliente durante la recarga del acumulador. Se trata de un fenómeno normal relacionado con el funcionamiento del cargador. Lleve a cabo la recarga en una zona bien ventilada.
- El acumulador pasará a estar inactivo si no se utiliza durante 72 h. Esto podría afectar al proceso de **CARGA**. En ese caso, debe pulsar primero el botón de encendido para activar el acumulador antes de descargarlo.

CONECTAR Y DESCONECTAR EL „BASTIDOR + ARNÉS“ CON EL ACUMULADOR

Para conectar

Ponga el acumulador en el „bastidor + arnés“ y deslicelo hasta que haga „clic“ (fig. C).

Para desconectar

Pule el botón de desbloqueo detrás de la abertura del asa de transporte del acumulador y tire hacia arriba del acumulador (fig. D).

Fig. D, ver abajo la descripción de las piezas:

D-1	Botón de desbloqueo
D-2	Asa de transporte

PONERSE EL ARNÉS CON EL ACUMULADOR

En el funcionamiento normal, el acumulador con el „bastidor y arnés“ se lleva a la espalda. Para evitar la fatiga y trabajar cómodamente, la placa de transporte está equipada con un cinturón abdominal que garantiza la libertad de movimiento.

La longitud del cinturón abdominal y las correas de los hombros se puede ajustar libremente. El acolchado de la espalda debe ajustar firmemente y de forma segura en la espalda.

- Ajuste la longitud del cinturón para sentirse cómodo antes de empezar a trabajar normalmente. La longitud debe adecuarse a su cuerpo mediante la hebilla. A continuación, inserte las dos piezas de la hebilla del cinturón una dentro de la otra, hasta que haga „clic“ (fig. E y F). Para quitarse el arnés con el acumulador, presione el botón y separe las dos piezas.
- Ajuste la longitud de las correas de los hombros con la hebilla de las correas. El arnés debe estar bien apretado para asegurar la comodidad.

ACOPLAR/DESACOPLAR EL ACUMULADOR

Pase el cable del acumulador alrededor del lateral del cuerpo y conecte el adaptador al cable de conexión de 1,5 m. Siga las instrucciones proporcionadas en el Manual del usuario del producto EGO que corresponda.

⚠ ADVERTENCIA: Si se produce una emergencia, quítese del hombro el acumulador inmediatamente. El método más rápido es desabrochar la hebilla del cinturón y quitarse el arnés de los hombros a los dos lados.

⚠ ADVERTENCIA: No apriete demasiado las correas de los hombros, ya que podría resultar difícil quitar el acumulador.

⚠ ADVERTENCIA: Solo algunos productos de EGO son adecuados para el acumulador: el cortasetos (HT5100E, HT6500E), el soplador (LB5750E) y el cortabordes de hilo (BC3800E). Le recomendamos que no use el acumulador en otras herramientas eléctricas.

MANTENIMIENTO

⚠ ADVERTENCIA: Las reparaciones o sustituciones del acumulador deben realizarlas los técnicos cualificados y el centro de servicio de EGO.

⚠ ADVERTENCIA: Para evitar lesiones graves, quite siempre el acumulador de la herramienta antes de limpiarlo, cambiar accesorios o llevar a cabo tareas de mantenimiento.

⚠ ADVERTENCIA: Cuando repare el producto, utilice únicamente piezas originales EGO idénticas a las originales. La utilización de otras piezas podría suponer un peligro o causar daños en el producto.

⚠ ADVERTENCIA: Si el único método de limpieza disponible es utilizando aire a presión, utilice siempre gafas de seguridad o gafas con protectores laterales. Asimismo, utilice mascarilla antipolvo si la operación efectuada genera polvo.

MANTENIMIENTO GENERAL

Evite utilizar disolventes para limpiar las piezas de plástico. La mayoría de las piezas de plástico utilizadas son susceptibles de sufrir daños si se limpian con algunos de los tipos de disolventes disponibles en el mercado. Utilice paños limpios para eliminar la suciedad y los residuos de polvo, aceite, grasa, etc.

⚠ ADVERTENCIA: No permita en ningún momento que líquido de frenos, gasolina, productos derivados del petróleo, aceites penetrantes, etc., entren en contacto con los elementos plásticos del producto. Los productos químicos podrían dañar, debilitar o destruir el plástico, con el consiguiente riesgo de provocar lesiones físicas graves.

PILAS

El acumulador está equipado con pilas recargables de ion de litio. La autonomía de uso tras cada carga dependerá del tipo de trabajo realizado. Las pilas de esta herramienta han sido diseñadas para proporcionar una larga vida útil sin problemas. No obstante, como sucede con cualquier acumulador, termina agotándose al cabo del tiempo.

No desmonte el acumulador ni intente sustituir ninguna de sus celdas. Tenga cuidado al manipular las baterías. En particular, si lleva puestas joyas o anillos, ya que podrían provocar sufrir quemaduras graves. Para prolongar al máximo la vida útil del acumulador, lea y comprenda el manual del usuario.

⚠ ADVERTENCIA: Se considera una buena práctica desenchufar el cargador y quitar el acumulador cuando no vaya a utilizarse.

EXTRACCIÓN DEL ACUMULADOR Y PREPARACIÓN PARA SU RECICLAJE



Li-ion

¡No elimine cargadores de baterías, acumuladores ni pilas recargables junto con los desperdicios domésticos!

Tanto la Directiva europea 2012/19/UE sobre la eliminación de aparatos eléctricos y electrónicos inservibles como la Directiva europea 2006/66/CE sobre la eliminación de baterías o acumuladores defectuosos o agotados estipulan que dichos elementos deben ser objeto de una recogida selectiva y reciclarse o eliminarse de manera que no perjudique el medio ambiente.

Consulte a su empresa municipal de recogida de basuras para obtener información acerca de las opciones disponibles para el reciclaje y/o la eliminación de este tipo de materiales.

⚠ ADVERTENCIA: Tras retirar el acumulador a fin de proceder a su eliminación o reciclaje, cubra sus terminales con cinta adhesiva reforzada. No intente destruir o desmontar el acumulador, ni retirar ninguno de sus componentes. Los acumuladores de ion de litio deberán reciclarse o eliminarse de la manera adecuada. Además, no toque nunca los terminales con objetos metálicos ni con partes del cuero, ya que podría provocar un cortocircuito. Manténgalo fuera del alcance de niños. Si no se tienen en cuenta estas advertencias, puede producirse un incendio o lesiones graves.

RESOLUCIÓN DE PROBLEMAS

ES

PROBLEMA	CAUSA	SOLUCIÓN
La herramienta eléctrica no funciona.	<ul style="list-style-type: none"> ■ El adaptador del acumulador no está acoplado a la herramienta eléctrica. ■ No hay contacto eléctrico entre el acumulador y la herramienta eléctrica. ■ El acumulador está agotado. ■ El acumulador o el circuito de la herramienta eléctrica se han sobrecalentado. ■ El cable o el adaptador no funcionan. 	<ul style="list-style-type: none"> ■ Conecte el acumulador a la herramienta eléctrica. ■ Quite el adaptador, compruebe los contactos y vuelva a instalarlo. ■ Recargue el acumulador. ■ Espere a que el acumulador o la herramienta eléctrica se hayan enfriado lo suficiente, hasta que su temperatura baje a los valores normales. ■ Póngase en contacto con los centros de servicio técnico de EGO.
En la pantalla LCD se indica „ OVER TEMPERATURE “.	<ul style="list-style-type: none"> ■ La temperatura de la batería es superior o inferior al valor especificado. 	<ul style="list-style-type: none"> ■ Pare el proceso de carga o descarga hasta que la temperatura sea normal.
En la pantalla LCD se indica „ CAN'T BE CHARGED “.	<ul style="list-style-type: none"> ■ La tensión de una celda de la batería es mayor que 4,3 V. 	<ul style="list-style-type: none"> ■ Pare inmediatamente el proceso de carga, pero la batería se puede descargar. Si esto se repite más veces, póngase en contacto con los centros de servicio de EGO.
La luz LCD parpadea continuamente.	<ul style="list-style-type: none"> ■ El enchufe no está introducido completamente en el adaptador, o el acumulador está acoplado a una herramienta eléctrica no reconocida. 	<ul style="list-style-type: none"> ■ Vuelva a introducir el enchufe en la toma en el adaptador de la batería hasta que se produzcan dos „clics“. Use herramientas eléctricas EGO.

GARANTÍA

POLITICA DE GARANTÍA EGO

Por favor visite nuestra página web egopowerplus.com para los terminos y las condiciones completas de la política de garantía EGO.

LEGGERE TUTTE LE ISTRUZIONI!



LEGGERE IL MANUALE DI ISTRUZIONI

⚠️ Rischi residui! Le persone portatrici di dispositivi elettronici, ad esempio pacemaker, devono consultare il proprio medico prima di usare questo prodotto. L'utilizzo di apparecchi elettrici in prossimità di pacemaker cardiaci comporta il rischio di interferenze o malfunzionamento del pacemaker.

⚠️ AVVERTENZA! Per garantire sicurezza e affidabilità, tutte le riparazioni e sostituzioni devono essere eseguite da un tecnico qualificato.

SIMBOLI DI SICUREZZA

Lo scopo dei simboli di sicurezza è attirare l'attenzione dell'operatore su possibili pericoli. I simboli di sicurezza e le relative spiegazioni richiedono la massima attenzione e comprensione da parte dell'operatore. Le avvertenze espresse dai simboli, da sole, non eliminano tutti i rischi. Le istruzioni e le avvertenze non sostituiscono le adeguate misure di prevenzione contro gli incidenti.

⚠️ AVVERTENZA! Accertarsi di aver letto e compreso tutte le istruzioni di sicurezza in questo manuale, inclusi tutti i simboli di avvertenza come **"PERICOLO"**, **"AVVERTENZA"** e **"ATTENZIONE"**, prima di usare questo apparecchio. Il mancato rispetto di tutte le istruzioni elencate di seguito comporta il rischio di scossa elettrica, incendio e/o lesioni gravi.

⚠️ AVVERTENZA! Rischio di incendio e ustioni. Non disassemblare, scaldare a temperature superiori a 100 °C o bruciare. Conservare il gruppo batteria fuori dalla portata dei bambini e nella confezione originale finché non è pronto all'uso. Smaltire immediatamente i gruppi batteria usati conformemente alle normative locali relative a riciclaggio e smaltimento.

ISTRUZIONI DI SICUREZZA

Questa pagina illustra e descrive i simboli di sicurezza che possono comparire sul prodotto. Leggere, comprendere e seguire tutte le istruzioni sull'apparecchio prima di tentare di assemblarlo e ripararlo.

	Avvertenza di sicurezza	Indica un potenziale rischio di infortunio.
	Leggere il Manuale Di Istruzioni	Per ridurre il rischio di infortunio, l'utente deve leggere e comprendere tutte le istruzioni prima di usare questo prodotto.
	Simbolo di smaltimento Li-ion	Non smaltire i gruppi batteria o le batterie insieme ai rifiuti domestici, nel fuoco o nell'acqua. I gruppi batteria o le batterie devono essere raccolti, riciclati o smaltiti nel rispetto dell'ambiente.
	Non esporre alla pioggia	Non usare l'apparecchio in caso di pioggia e non lasciarlo all'aperto quando piove.
	CE	Questo prodotto è conforme alle direttive europee applicabili.
	RAEE	I prodotti elettrici non devono essere smaltiti insieme ai rifiuti domestici. Portarli presso un centro di riciclaggio autorizzato.
V	Volts	Voltaggio
A	Ampere	Corrente
W	Watt	Potenza
min	Minuti	Tempo
	Corrente continua	Tipo o caratteristica della corrente

⚠️ AVVERTENZA! Leggere e comprendere tutte le istruzioni. Il mancato rispetto di tutte le istruzioni comporta il rischio di scossa elettrica, incendio e/o lesioni gravi. Il termine "utensile elettrico" nella maggior parte delle avvertenze riportate di seguito fa riferimento agli apparecchi da giardino alimentati a batteria (senza cavo) EGO Power+.

SICUREZZA DELL'AREA DI LAVORO

- **Mantenere l'area di lavoro pulita e ben illuminata.** Aree ingombre e ombreggiate favoriscono gli incidenti.

- Non usare gli utensili elettrici in atmosfere esplosive, ad esempio in presenza di liquidi, gas o polveri infiammabili. Gli utensili elettrici producono scintille suscettibili di dare fuoco a polveri o vapori.

SICUREZZA ELETTRICA

- Non esporre gli utensili elettrici a pioggia o umidità. La penetrazione di acqua all'interno di un utensile elettrico aumenta il rischio di scossa elettrica.
- Utilizzare esclusivamente con i caricabatteria e gli utensili elettrici elencati alla sezione "SPECIFICHE".

IT

USO E MANUTENZIONE DEL GRUPPO BATTERIA

- Ricaricare la batteria esclusivamente con il caricabatteria specificato dal costruttore. Un caricabatteria adatto a un tipo di gruppo batteria può comportare il rischio di incendio se usato con un altro gruppo batteria.
- Usare il gruppo batteria esclusivamente con gli utensili elettrici specificamente progettati. L'uso di altri utensili elettrici comporta il rischio di incendio e infortunio.
- Quando il gruppo batteria non è in uso, tenerlo lontano da piccoli oggetti metallici, ad esempio graffette, monete, chiavi, chiodi, viti ecc. poiché potrebbero creare un collegamento tra i due terminali. L'eventuale cortocircuito dei terminali della batteria comporta il rischio di incendio o di ustioni.
- L'utilizzo improprio dell'utensile elettrico può causare fuoriuscite di liquido dalla batteria: evitare il contatto con tale liquido. In caso di contatto accidentale, lavare con acqua. Se il liquido entra a contatto con gli occhi, contattare un medico. Il liquido fuoriuscito dalla batteria può causare irritazioni o ustioni.
- Non smontare, aprire o distruggere le batterie o le celle secondarie.
- Non esporre le celle o le batterie a calore o fuoco. Evitare di conservarle alla luce solare diretta.
- Non cortocircuitare una cella o una batteria. Non conservare le celle o le batterie in una scatola o un cassetto dove possono cortocircuitarsi tra loro o essere cortocircuitate da altri oggetti metallici.
- Non rimuovere una cella o una batteria dalla confezione originale finché non è pronta all'uso.
- Non esporre le celle o le batterie a urti meccanici.
- Se una cella subisce perdite, evitare che il liquido entri in contatto con gli occhi o la pelle. In caso di contatto, lavare l'area interessata con abbondante acqua e consultare un medico.
- Non usare caricabatteria diversi da quello specificamente fornito con l'apparecchio.
- Non usare celle o batterie non progettate per l'uso con l'apparecchio.
- Non mischiare celle di marche, capacità, dimensioni o tipo diversi all'interno dello stesso dispositivo.
- Conservare celle e batterie fuori dalla portata dei bambini.
- Consultare immediatamente un medico in caso di ingestione di una cella o una batteria.
- Acquistare sempre la cella o la batteria corretta per l'apparecchio.
- Mantenere celle e batterie pulite e asciutte.
- Se sono sporchi, pulire i terminali della cella o della batteria con un panno asciutto e pulito.
- Le batterie e le celle secondarie devono essere ricaricate prima dell'uso. Usare sempre il caricabatteria corretto e fare riferimento alle istruzioni del costruttore o al manuale dell'apparecchio relativamente alle istruzioni per una ricarica corretta.
- Non lasciare la batteria sotto carica per lunghi periodi quando non è in uso.
- Dopo un lungo periodo di inutilizzo, potrebbe essere necessario ricaricare e scaricare diverse volte le celle o le batterie per ottenere le massime prestazioni.
- Le batterie e le celle secondarie forniscono le migliori prestazioni quando sono in funzione a temperatura ambientale ordinaria (20 °C ± 5 °C).
- Conservare le istruzioni del prodotto per future consultazioni.
- Usare la cella o la batteria esclusivamente per gli scopi previsti.
- Se possibile, rimuovere la batteria dall'apparecchio quando non è in uso.
- Smaltire la batteria adeguatamente.

RIPARAZIONI

- Seguire le istruzioni riportate alla sezione "Manutenzione" di questo manuale. L'uso di parti non autorizzate o il mancato rispetto delle istruzioni di manutenzione comportano il rischio di scossa elettrica o infortunio.

NORME DI SICUREZZA SPECIFICHE

- Familiarizzare con l'utensile elettrico. Leggere il manuale di istruzioni. Studiare le applicazioni e le limitazioni dell'utensile elettrico e i relativi rischi specifici. Il rispetto di questa istruzione riduce il rischio di scossa elettrica, incendio o infortunio.

- **Gli apparecchi a batteria non hanno bisogno di essere collegati a un impianto elettrico; pertanto sono sempre in condizioni operative.** Essere consci dei possibili rischi quando l'apparecchio alimentato a batteria non è in uso. Rimuovere sempre la batteria prima di sostituire gli accessori. Il rispetto di questa istruzione riduce il rischio di scossa elettrica, incendio o infortunio.
- **Non posizionare gli apparecchi a batteria o i gruppi batteria in prossimità di fuoco o fonti di calore.** Il rispetto di questa istruzione riduce il rischio di esplosione e infortunio.
- **Non gettare le batterie nel fuoco** perché le celle potrebbero esplodere. Contattare le autorità locali per eventuali istruzioni di smaltimento specifiche.
- **Non aprire o mutilare la batteria.** Gli elettroliti rilasciati sono corrosivi e possono danneggiare gli occhi o la pelle o essere tossici se ingeriti.
- **Non schiacciare, far cadere o danneggiare il gruppo batteria.** Non usare gruppi batteria o caricabatteria che hanno subito cadute o urti violenti. Le batterie danneggiate sono suscettibili di esplodere. Smaltire immediatamente una batteria danneggiata o che ha subito cadute.
- **Le batterie emettono gas idrogeno e possono esplodere in presenza di una fonte di accensione, ad esempio una fiamma pilota.** Per ridurre il rischio di lesioni gravi, non usare mai apparecchi alimentati a batteria in presenza di fiamme libere. L'esplosione di una batteria comporta il lancio di detriti e sostanze chimiche. In caso di esposizione, risciacquare immediatamente con acqua.
- **Non ricaricare il gruppo batteria sotto la pioggia o in luoghi umidi.** Il rispetto di questa istruzione riduce il rischio di scossa elettrica.
- **Per i migliori risultati, ricaricare la batteria in locali in cui la temperatura è superiore a 0°C e inferiore a 40°C.** Non conservarla all'aperto o all'interno di veicoli.
- **In condizioni estreme di utilizzo o temperatura, le batterie sono soggette a perdite.** Se il liquido entra in contatto con la pelle, lavarla immediatamente con acqua e sapone, quindi neutralizzarla con succo di limone o aceto. Se il liquido entra in contatto con gli occhi, risciacquarli con acqua pulita per almeno 10 minuti, quindi consultare immediatamente un medico. Il rispetto di questa istruzione riduce il rischio di lesioni gravi.
- **Impedire il contatto di benzina, oli, prodotti a base di petrolio, ecc. con le parti in plastica.** Tali materiali contengono sostanze chimiche suscettibili di danneggiare, indebolire o distruggere la plastica.

- **Affidare la riparazione del gruppo batteria a tecnici qualificati usando esclusivamente parti di ricambio identiche.** Ciò salvaguarderà la sicurezza del gruppo batteria.

Conservare queste istruzioni. Consultarle frequentemente e usarle per istruire gli altri operatori dell'apparecchio. Se si presta l'apparecchio ad altre persone, allegare anche queste istruzioni per evitare l'uso errato dell'apparecchio e il rischio di infortunio.

SPECIFICHE TECNICHE

Tensione nominale	56 V ---
Capacità nominale	1300 Wh
Adattatore caricabatteria	CH5500E
Adattatore utensili elettrici	HT5100E, HT6500E, LB5750E, BC3800E
Peso (senza adattatore)	8,9 Kg

DESCRIZIONE

DESCRIZIONE DEL GRUPPO BATTERIA (Fig. A)

1. Gruppo batteria
2. Indicatore LCD
3. Cavo
4. Adattatore (venduto separatamente)
5. Interruttore
6. Pulsante di sgancio
7. Foro di fissaggio
8. Fibbia
9. Imbracatura
10. Telaio
11. Cinghia
12. GRUPPO barra girevole
13. Telaio + imbracatura (venduto separatamente)
14. Cuscinetto per fianco

FUNZIONAMENTO

SPIA DI CARICA SUL GRUPPO BATTERIA

Questo gruppo batteria è dotato di un indicatore LCD che riporta il logo EGO, il livello di carica del gruppo batteria e i codici errore. Premendo l'interruttore della batteria, l'indicatore LCD si accenderà per 10 secondi; appariranno, in sequenza: il logo EGO, e il livello di carica della batteria.

- L'indicatore rimarrà acceso durante l'uso e la ricarica.
- Se il livello di carica della batteria è inferiore al 5%, sull'indicatore del livello di carica apparirà "LOW".

PROTEZIONE DELLA BATTERIA

Il circuito della batteria protegge il gruppo batteria contro le temperature estreme e il rischio di sovraccarico, sovracorrente e sovraccarico. Per proteggere la batteria da eventuali danni e prolungare la sua durata di vita, la circuiteria del gruppo batteria spegnerà il gruppo batteria in caso di sovraccarico o se la temperatura diventa troppo elevata o troppo bassa durante l'uso. Ciò può verificarsi in situazioni di coppia estremamente elevata, inceppamento e stallo.

- Durante la ricarica, il gruppo batteria si spegnerà e sull'indicatore LCD appariranno "ERROR" e "OVER TEMPERATURE" quando la sua temperatura è superiore a 45°C o inferiore a 0°C. Quando la temperatura ritorna a un livello normale entro 90 minuti, la batteria riprenderà automaticamente a funzionare. In caso contrario, la batteria si spegnerà; fare scorrere nuovamente l'adattatore sul caricabatteria per riattivare la ricarica.
- Il gruppo batteria si spegnerà e sull'indicatore LCD appariranno "ERROR" e "CAN'T BE CHARGED" quando la tensione di una cella della batteria è superiore a 4,3 V. Si raccomanda di scaricare immediatamente il gruppo batteria. Se questo problema si verifica più volte, contattare il centro di assistenza EGE.
- Durante la scarica, il gruppo batteria si spegnerà e sull'indicatore LCD appariranno "ERROR" e "OVER TEMPERATURE" quando la sua temperatura è superiore a 60°C o inferiore a -20°C. Quando la temperatura ritorna a un livello normale, la batteria ricomincerà automaticamente a funzionare e l'utensile elettrico verrà riavviato.
- Il gruppo batteria si spegnerà e sull'indicatore LCD appariranno "ERROR" e "OVER LOAD" quando la corrente di scarica massima è superiore a 40 A. Si raccomanda di interrompere il lavoro e di contattare il centro di assistenza.

- **AVVERTENZA!** Non riscaldare il gruppo batteria per alcun motivo.

RICARICA DEL GRUPPO BATTERIA

Il gruppo batteria è consegnato parzialmente in carica. Prima di usarlo per la prima volta, ricaricare completamente la batteria.

- **AVVERTENZA!** Non ricaricare il gruppo batteria in ambienti esterni e non esporlo a condizioni bagnate o umide. La penetrazione di acqua all'interno del caricabatteria o del gruppo batteria aumenta il rischio di scossa elettrica. Per ulteriori dettagli, consultare il manuale utente del caricabatteria rapido EGO CH5500E.

1. Collegare il caricabatteria (CH5500E) alla presa di corrente (220-240 V~ 50 Hz).
2. Inserire la spina nella presa dell'adattatore della batteria fino a udire un "doppio clic" (Fig. B).

Descrizione delle parti in Fig. B:

B-1	Spina
B-2	Adattatore

3. Fare scorrere l'adattatore sul caricabatteria seguendo la stessa operazione degli altri gruppi batteria EGO.
4. Quando il gruppo batteria è sotto carica, l'indicatore LCD è acceso e permette di visualizzare il livello di carica; quando raggiunge il 100%, il gruppo batteria è completamente carico. Attendere che la ventola di raffreddamento si arresti, rimuovere il gruppo batteria dal caricabatteria e scollegare il caricabatteria dalla presa di corrente.
5. Il gruppo batteria si ricaricherà completamente se viene lasciato sul caricabatteria, ma non subirà sovraccarichi. Tuttavia, si raccomanda di interrompere la ricarica quando è completamente carico.

ATTENZIONE!

- Se la spina non è stata inserita completamente, la luce LCD lampeggerà costantemente.
- Una riduzione significativa dell'autonomia del gruppo batteria dopo averlo caricato completamente indica che le batterie sono quasi al termine della loro vita utile e devono essere sostituite.
- Il caricabatteria può diventare caldo durante la ricarica. Ciò è parte del normale funzionamento del caricabatteria. Effettuare la ricarica in un'area ben ventilata.

- Se il gruppo batteria rimane inutilizzato per 72 ore diventerà inattivo, e ciò può influire sul processo di **RICARICA**. In tal caso, premere il pulsante dell'interruttore per avviare il gruppo batteria prima della ricarica.

COLLEGARE E SCOLLEGARE IL “TELAIO + IMBRACATURA” CON IL GRUPPO BATTERIA

Collegamento

Inserire il gruppo batteria nel “telaiο + imbracatura” e farlo scorrere fino al clic (Fig. C).

Scollegamento

Premere il pulsante di rilascio dietro all'apertura dell'impugnatura di trasporto del gruppo batteria e tirare il gruppo batteria verso l'alto (Fig. D).

Descrizione delle parti in Fig. D:

D-1	Pulsante di rilascio
D-2	Impugnatura di trasporto

INDOSSARE L'IMBRACATURA CON IL GRUPPO BATTERIA

Durante l'uso normale, il gruppo batteria con il “telaiο + imbracatura” si indossa sulla schiena. Per evitare l'affaticamento e lavorare agevolmente, la piastra di supporto è dotata di raccordo per cintura, che garantisce libertà di movimento.

La lunghezza della cintura e degli spillacci può essere regolata liberamente. Il cuscino posteriore deve appoggiarsi saldamente contro la propria schiena.

- Regolare la lunghezza della cintura in modo che sia confortevole prima di iniziare il lavoro; la lunghezza deve essere adattata attraverso la fibbia della cintura. Quindi inserire le due parti della fibbia della cintura una dietro l'altra fino al clic (Fig. E e F). Per rimuovere l'imbracatura con il gruppo batteria, premere il pulsante della cintura e separare le due parti.
- Regolare la lunghezza degli spillacci attraverso la fibbia degli spillacci. L'imbracatura deve essere regolata correttamente per assicurare il massimo comfort.

INSTALLARE E RIMUOVERE IL GRUPPO BATTERIA

Guidare il cavo del gruppo batteria intorno al lato del corpo e collegare l'adattatore al cavo di collegamento da 1,5 m. Seguire le istruzioni riportate nel manuale del prodotto EGO specifico.

⚠ AVVERTENZA! In caso di emergenza, sfilare immediatamente il gruppo batteria dalla spalla. Un rapido metodo di rilascio è slacciare la fibbia e sfilare l'imbracatura da entrambe le spalle.

⚠ AVVERTENZA! Non serrare eccessivamente gli spillacci per evitare di rendere difficile la rimozione del gruppo batteria.

⚠ AVVERTENZA! Solo alcuni prodotti EGO sono adatti a questo gruppo batteria, ovvero: il tagliasièpi (HT5100E, HT6500E), il soffiatore (LB5750E) e il decespugliatore a filo (BC3800E). Si raccomanda di non usare questo gruppo batteria con altri utensili elettrici.

MANUTENZIONE

⚠ AVVERTENZA! Il gruppo batteria deve essere riparato o sostituito da tecnici e centri di assistenza EGO qualificati.

⚠ AVVERTENZA! Per evitare lesioni gravi, rimuovere sempre il gruppo batteria dal caricabatteria durante la sostituzione degli accessori e prima delle operazioni di pulizia o manutenzione.

⚠ AVVERTENZA! Per la riparazione, usare esclusivamente parti di ricambio EGO identiche. L'uso di altri ricambi comporta situazioni pericolose o il rischio di danni all'apparecchio.

⚠ AVVERTENZA! Se la pulizia tramite aria compressa è l'unico metodo disponibile, indossare sempre maschere di sicurezza o occhiali di sicurezza con protezioni laterali. Se l'ambiente è polveroso, indossare anche una maschera antipolvere.

MANUTENZIONE GENERALE

Evitare l'uso di solventi durante la pulizia delle parti in plastica. La maggior parte dei materiali plastici può essere danneggiata da diversi tipi di solventi in commercio. Usare un panno pulito per rimuovere sporcizia, polvere, olio, grasso, ecc.

⚠ AVVERTENZA! Impedire il contatto di liquido per freni, benzina, prodotti a base di petrolio, oli penetranti, ecc. con le parti in plastica. Le sostanze chimiche possono danneggiare, indebolire o distruggere la plastica, comportando il rischio di lesioni gravi.

BATTERIE

Il gruppo batteria è dotato di batterie agli ioni di litio ricaricabili. La durata operativa di ogni ricarica dipende dal tipo di lavoro. Le batterie in questo prodotto sono state progettate per fornire un perfetto funzionamento e la massima affidabilità. Come tutte le batterie, col tempo si consumeranno.

Non disassemblare il gruppo batteria e non tentare di sostituire le celle. La manipolazione delle batterie, in particolare quando si indossano anelli e altri gioielli, comporta il rischio di ustioni gravi. Per garantire la massima durata di vita della batteria, leggere e comprendere il manuale di istruzioni.

IT

⚠ AVVERTENZA! È buona norma scollegare il caricabatteria dalla presa di corrente e rimuovere il gruppo batteria agli ioni di litio quando non è in uso.

RIMOZIONE DEL GRUPPO BATTERIA E PREPARAZIONE ALLO SMALTIMENTO



Non smaltire il caricabatteria e le batterie/batterie ricaricabili insieme ai rifiuti indifferenziati!

Li-ion

Conformemente alle direttive europee 2012/19/EU e 2006/66/CE, i rifiuti di apparecchiature elettriche ed elettroniche, pile e accumulatori devono essere raccolti separatamente e smaltiti nel rispetto dell'ambiente.

Contattare le autorità competente per informazioni relative alle opzioni per il riciclo e/o lo smaltimento.

⚠ AVVERTENZA! Dopo la rimozione del gruppo batteria a scopo di smaltimento o riciclo, coprire i terminali del gruppo batteria con del robusto nastro isolante. Non tentare di distruggere o disassemblare il gruppo batteria o di rimuoverne i componenti. Le batterie agli ioni di litio devono essere riciclate o smaltite adeguatamente. Inoltre, non toccare mai i terminali con oggetti metallici e/o parti del corpo per evitare il rischio di cortocircuito. Tenere fuori dalla portata dei bambini. Il mancato rispetto di queste avvertenze comporta il rischio di incendio e/o gravi infortuni.

RISOLUZIONE DEI PROBLEMI

PROBLEMA	CAUSA	SOLUZIONE
L'utensile elettrico non funziona.	<ul style="list-style-type: none"> ■ L'adattatore del gruppo batteria non è installato sull'utensile elettrico. ■ Nessun contatto elettrico tra l'utensile elettrico e la batteria. ■ Il gruppo batteria è scarico ■ Il gruppo batteria o l'utensile elettrico sono troppo caldi. ■ Il cavo o l'adattatore non sono funzionanti. 	<ul style="list-style-type: none"> ■ Installare il gruppo batteria sull'utensile elettrico. ■ Rimuovere l'adattatore, ispezionare i contatti e reinstallare l'adattatore. ■ Ricaricare il gruppo batteria. ■ Raffreddare il gruppo batteria e l'utensile elettrico finché la temperatura non scende al di sotto dei valori normali. ■ Contattare il centro di assistenza EGO.
Sull'indicatore LCD appare " OVER TEMPERATURE ".	<ul style="list-style-type: none"> ■ La temperatura della batteria è superiore o inferiore ai valori specificati. 	<ul style="list-style-type: none"> ■ Interrompere la carica o la scarica finché la temperatura non ritorna normale.
Sull'indicatore LCD appare " CAN'T BE CHARGED ".	<ul style="list-style-type: none"> ■ La tensione di una cella della batteria è superiore a 4,3 V. 	<ul style="list-style-type: none"> ■ Interrompere immediatamente la carica; tuttavia la batteria può essere scaricata. Se questo problema si verifica più volte, contattare il centro di assistenza EGE.
La spia lampeggia costantemente.	<ul style="list-style-type: none"> ■ La spina non è inserita completamente nell'adattatore o il gruppo batteria è collegato a un utensile elettrico non riconosciuto. 	<ul style="list-style-type: none"> ■ Reinserire la spina nella presa dell'adattatore della batteria fino al "doppio clic". Usare utensili elettrici EGO.

IT

GARANZIA

CONDIZIONI DELLA GARANZIA EGO

Visitare il sito web egopowerplus.com per consultare le condizioni complete della garanzia EGO.

LEES ALLE INSTRUCTIES!



LEES DE GEBRUIKERSHANDLEIDING

⚠️ Restrisico! Personen met elektronische apparaten, zoals pacemakers, moeten eerst hun art(sen) raadplegen voordat ze dit product mogen gebruiken. De werking van een elektrisch apparaat in de nabijheid van een pacemaker kan een storing of defect aan de pacemaker veroorzaken.

NL

⚠️ WAARSCHUWING: Om een continue veiligheid en betrouwbaarheid te waarborgen, dienen alle reparaties en vervangingen van onderdelen uitgevoerd te worden door een vakbekwame reparateur.

VEILIGHEIDSSYMBOLEN

Het doel van de veiligheidssymbolen is om u te wijzen op mogelijke gevaren. Besteed daarom voldoende aandacht hieraan en begrijp de veiligheidssymbolen en bijbehorende uitleg. De symboolwaarschuwingen op zich elimineren geen enkel gevaar. De gegeven instructies en waarschuwingen gelden niet als vervanging voor gepaste voorzorgsmaatregelen tegen ongevallen.

⚠️ WAARSCHUWING: Lees en begrijp alle veiligheidsinstructies die in deze gebruikershandleiding zijn vermeld, waaronder alle veiligheidssymbolen zoals “**GEVAAR**”, “**WAARSCHUWING**”, en “**OPGELET**” voordat u dit apparaat in gebruik neemt. Het negeren van onderstaande instructies kan leiden tot elektrische schokken, brand en/of ernstig persoonlijk letsel.

⚠️ WAARSCHUWING: Risico op brand en brandwonden. Niet demonteren, boven 100 °C verwarmen of verbranden. Houd het accupack uit de buurt van kinderen en bewaar hem in de originele verpakking tot u hem wilt gebruiken. Gooi gebruikte accupacks weg volgens de lokale recyclingvoorschriften of afvalrichtlijnen.

VEILIGHEIDSVORSCHRIFTEN

Deze pagina toont en beschrijft alle veiligheidssymbolen die zich op dit product kunnen bevinden. Lees, begrijp en volg alle instructies op de machine voordat u deze in elkaar zet en gebruikt.

	Veiligheidswaarschuwing	Geeft een risico op persoonlijk letsel aan.
	Lees de gebruikershandleiding	De gebruiker dient de gebruikershandleiding voor het gebruik van dit product te lezen en te begrijpen om risico op letsel te beperken.
	Recyclingsymbolen	Gooi accupacks/batterijen nooit met het huisafval, in vuur of water weg. Verzamel, recycle of gooi accupacks/batterijen op een milieuvriendelijke manier weg.
	Niet aan regen blootstellen	Gebruik het apparaat niet in de regen en laat het tevens niet buiten achter als het regent.
	CE	Dit product is in overeenstemming met de EG-richtlijnen.
	WEEE	Gooi elektrisch afval niet via het huishoudelijk afval weg. Breng het naar een geautoriseerd recyclingbedrijf.
V	Volt	Spanning
A	Ampère	Stroom
W	Watt	Vermogen
min	Minuten	Tijd
	Gelijkstroom	Stroomtype of -karakteristiek

⚠️ WAARSCHUWING: Lees en begrijp alle instructies. Het negeren van alle instructies kan leiden tot elektrische schokken, brand en/of ernstig persoonlijk letsel. De term „elektrisch gereedschap“ in alle vermelde waarschuwingen verwijst naar de EGO Power+ of accu's werkende (snoerloze) gazon & tuin gereedschappen.

VEILIGHEID OP DE WERKPLAATS

- **Houd de werkplaats schoon en goed verlicht.** Rommelige of donkere ruimten kunnen ongevallen veroorzaken.

- Gebruik geen elektrisch gereedschap in explosieve ruimten, bijvoorbeeld in de aanwezigheid van ontvlambare vloeistoffen, gassen of stof. Elektrisch gereedschap genereert vonken en deze kunnen stof of dampen ontsteken.

ELEKTRISCHE VEILIGHEID

- Stel elektrisch gereedschap niet bloot aan regen of vochtige omstandigheden. Water dat elektrisch gereedschap binnendringt, vergroot het risico op elektrische schokken.
- Alleen gebruiken met laders en elektrische gereedschappen die staan vermeld in de "SPECIFICATIES".

GEbruik EN ONDERHOUD VAN ACCUPACKS

- Laad alleen op met de laders die door de fabrikant zijn gespecificeerd. Een lader die geschikt is voor één type van accupack kan tot brandgevaar leiden wanneer gebruikt met een andere accupack.
- Gebruik het accupack alleen met het specifiek aangegeven elektrisch gereedschap. Het gebruik van andere gereedschappen kan risico op letsel en brandgevaar veroorzaken.
- Wanneer u het accupack niet gebruikt, dient u het uit de buurt van andere metalen voorwerpen zoals paperclips, muntstukken, sleutels, nagels, schroeven of andere kleine metalen voorwerpen te houden, die de twee aansluitklemmen kunnen verbinden. Het kortsluiten van de aansluitklemmen kan brandwonden of brand veroorzaken.
- Bij verkeerd gebruik kan er vloeistof uit de accu worden gespoten; vermijd elk contact. Als aanraking met de vloeistof toevallig plaatsvindt, dient u het met water af te spoelen. Als de vloeistof in de ogen komt, dient u onmiddellijk een arts te consulteren. Vloeistof dat uit de accu wordt gespoten kan irritaties of brandwonden veroorzaken.
- De secundaire batterijen of accu's niet demonteren, openen of vernietigen.
- Stel batterijen of accu's niet bloot aan warmte of vuur. Voorkom opslag in direct zonlicht.
- Zorg dat de batterij of accu niet wordt kortgesloten. Berg de batterijen of accu's niet in een doos of lade op waar ze elkaar kunnen kortsluiten of door andere metalen voorwerpen kortgesloten kunnen worden.
- Haal een batterij of accu pas uit zijn originele verpakking wanneer u hem wilt gebruiken.
- Stel de cellen of batterijen niet bloot aan mechanische schokken.
- In geval van een lekkende batterij, dient u ervoor te zorgen dat de vloeistof niet met de huid of ogen in aanraking komt. Als contact heeft plaatsgevonden, was de aangetaste zone met overvloedig veel water af en raadpleeg vervolgens een arts.
- Gebruik geen andere lader dan degene die speciaal wordt meegeleverd voor gebruik met het gereedschap.
- Gebruik geen batterij of accu die niet is ontworpen voor gebruik met het gereedschap.
- Meng geen batterijen van verschillende fabrikanten, capaciteit, grootte of type in een apparaat.
- Houd batterijen en accu's buiten het bereik van kinderen.
- Raadpleeg onmiddellijk een arts als u denkt dat een batterij of accu werd ingeslikt.
- Koop altijd de juiste batterij of accu voor het gereedschap.
- Houd batterijen en accu's schoon en droog.
- Veeg de aansluitklemmen van de batterij of accu schoon met een schone, droge doek als deze vuil zijn.
- Laad secundaire batterijen en accu's op voor gebruik. Gebruik altijd de juiste lader en raadpleeg de instructies van de fabrikant of de gebruiksaanwijzing van het gereedschap voor de juiste laadinstructies.
- Laad een batterij niet langdurig op wanneer deze niet wordt gebruikt.
- Na een langdurige opslagperiode kan het nodig zijn om de batterijen of accu's meerdere keren na elkaar op te laden en te ontladen om de beste prestaties te krijgen.
- Secundaire batterijen en accu's leveren de beste prestaties wanneer ze bij een normale kamertemperatuur (20 °C ± 5 °C) worden gebruikt.
- Bewaar de originele gebruiksaanwijzing voor latere raadpleging.
- Gebruik de batterij of accu alleen voor het beoogde gebruik.
- Wanneer mogelijk, dient u de accu uit het gereedschap te halen wanneer u het niet gebruikt.
- Gooi op een correcte manier weg.

SERVICE

- Volg de instructies in het hoofdstuk „Onderhoud“ in deze gebruiksaanwijzing. Het gebruik van ongeoorloofde onderdelen of het negeren van de onderhoudsinstructies kan risico op schokken of letsel veroorzaken.

SPECIEFIEKE VEILIGHEIDSRICHTLIJNEN

- **Ken uw elektrisch gereedschap. Lees de gebruiksaanwijzing zorgvuldig door. Leer zowel de toepassingen en beperkingen als ook de specifieke mogelijke gevaren omtrent dit gereedschap.** Dit beperkt het risico op elektrische schokken, brand of ernstig letsel.
- **Accugereedschap moet niet op een stopcontact worden aangesloten en kan aldus altijd onmiddellijk gebruikt worden.** Let op voor mogelijke gevaren wanneer u uw accugereedschap niet gebruikt. Verwijder altijd de accu voordat u accessoires vervangt. Dit beperkt het risico op elektrische schokken, brand of ernstig persoonlijk letsel.
- **Plaats het accugereedschap of het accupack niet in de buurt van vuur of warmte.** Dit beperkt het risico op explosie en mogelijk letsel.
- **Gooi geen accu's in het vuur.** De batterijen kunnen ontploffen. Raadpleeg de lokale wetgeving voor eventuele speciale verwijderingsvoorschriften.
- **Open of beschadig de accu niet.** Vrijgekomen elektrolyt is corrosief en kan letsel aan de ogen en huid veroorzaken. Het kan giftig zijn wanneer het wordt ingeslikt.
- **Het accupack niet in elkaar drukken, laten vallen of beschadigen.** Gebruik geen accupack of lader nadat deze is gevallen of een harde klap heeft gehad. Een beschadigde accu kan exploderen. Gooi een gevallen of beschadigde accu onmiddellijk en op de juiste manier weg.
- **Het vrijgekomen waterstofgas van de accu kan exploderen in de aanwezigheid van een ontstekingsbron, zoals een indicatielampje.** Om het risico op ernstig persoonlijk letsel te beperken, mag u nooit een snoerloos product in de aanwezigheid van een open vlam gebruiken. Een geëxplodeerde batterij kan vuil en chemische stoffen vrijgeven. Mocht u hieraan worden blootgesteld, dient u het onmiddellijk met water af te spoelen.
- **Laad de accu niet op in een vochtige of natte omgeving. Dit beperkt het risico op elektrische schokken.**
- **Voor het beste resultaat dient de accu in een ruimte te worden geladen waar de temperatuur hoger is dan 0° C en lager dan 40° C.** Bewaar hem niet buiten of in voertuigen.

- **Bij extreem gebruik of extreme temperaturen kunnen lekkages optreden.** Als vloeistof met uw huid in aanraking komt, dient u de plek onmiddellijk met zeep en water te wassen en vervolgens met citroensap of azijn te neutraliseren. Als vloeistof in uw ogen komt dient u ze gedurende minstens 10 minuten met schoon water uit te spoelen en vervolgens een arts te raadplegen. Dit beperkt het risico op ernstig persoonlijk letsel.
- **Laat geen op benzine, olie of petroleum gebaseerde producten, enz. in aanraking komen met de plastic onderdelen.** Deze stoffen bevatten chemicaliën die het kunststof kunnen beschadigen, verzwakken of vernietigen.
- **Laat uw accupack repareren door een gecertificeerde monteur en alleen met identieke reserveonderdelen.** Dit waarborgt het behoud van de veiligheid van het accupack.

Bewaar deze instructies. Raadpleeg de gebruiksaanwijzing indien nodig en gebruik deze om andere personen die dit apparaat zullen gebruiken te onderrichten. Al u dit gereedschap aan iemand anders geeft, doe dan tevens deze gebruiksaanwijzing erbij om verkeerd gebruik en mogelijk letsel te voorkomen.

SPECIFICATIES

Nominale spanning	56 V ---
Nominaal vermogen	1300 Wh
Adapter lader	CH5500E
Elektrisch adapter-gereedschap	HT5100E, HT6500E, LB5750E, BC3800E
Gewicht (zonder adapter)	8,9 Kg

BESCHRIJVING

KEN UW ACCUPACK (afb. A)

1. Accupack
2. LCD-indicator
3. Kabel
4. Adapter (wordt apart verkocht)
5. Schakelaar
6. Ontgrendelingsknop
7. Montagegat
8. Riemgesp
9. Harnas
10. Frame
11. Riem
12. Draaiende staaf MONTAGE
13. Frame + harnas (wordt apart verkocht)
14. Heupkussen (wordt apart verkocht)

BEDIENING

INDICATIELAMPJE OP HET ACCUPACK

Deze accupack is voorzien van een LCD-indicator, die het EGO-logo, huidige accustatus en storingscodes vermeldt. Als u op de accuschakelaar drukt, gaat de LCD-indicator gedurende 10 seconden aan en geeft het EGO-logo, en de huidige accustatus na elkaar weer.

- De indicator blijft aan gedurende het gebruik en het laden
- Als de accucapaciteit minder is dan 5%, geeft de statusindicatie "LOW" weer.

ACCUBESCHERMING

Het schakelsysteem van de accu beschermt het accupack tegen extreme temperaturen, diepte-ontlading, stroompieken en overlading. Om de accu tegen schade te beschermen en een langdurige levensduur te waarborgen, schakelt het schakelsysteem het accupack uit in geval van een overlading of wanneer de temperatuur tijdens gebruik te hoog of te laag wordt. Dit kan gebeuren bij een zeer hoge koppel, vastzitten of blijven steken van het gereedschap.

- Tijdens het laden gaat het accupack uit en verschijnt "ERROR" en "OVER TEMPERATURE" op de LCD-indicator als de temperatuur 45°C over- of 0°C onderschrijdt. Zodra de temperatuur weer normaal is binnen 90 minuten, zal de accu weer automatisch beginnen met werken. In alle andere gevallen gaat de accu uit. Door de adapter weer op de lader te schuiven, kan het laden weer opnieuw worden gestart.
- Het accupack gaat uit en "ERROR" en "CAN'T BE CHARGED" verschijnen op de LCD-indicator, als de spanning van een accupack 4,3V overschrijdt. Het wordt aangeraden het accupack direct te ontladen. Als deze aanwijzing meerdere keren verschijnt, dient u contact op te nemen met een EGO-servicecentrum.
- In geval van ontlading zal het accupack uitgaan en "ERROR" en "OVER TEMPERATURE" verschijnen op de LCD-indicator als de temperatuur 60 °C over- of -20 °C onderschrijdt. Het accupack hervat het werk weer als beide voorwaarden voor de normale temperatuur worden hervat en staan toe, dat het elektrisch gereedschap weer start.
- Het accupack gaat uit en "ERROR" en "OVER LOAD" verschijnen op de LCD-indicator als de maximale ontladestroom 40A overschrijdt. Wij raden u aan, de werkzaamheden te onderbreken en contact op te nemen met een servicemonteur voor ondersteuning.

⚠ WAARSCHUWING: U mag het accupack in geen geval verwarmen.

LAAD HET ACCUPACK OP

Het accupack wordt reeds gedeeltelijk geladen geleverd. Voor de eerste ingebruikname dient de accu te worden geladen.

⚠ WAARSCHUWING: Laad het accupack niet buitenshuis op en stel het niet bloot aan natte of vochtige omstandigheden. Water dat de lader of het accupack binnendringt, vergroot het risico op elektrische schokken. Voor verdere details kunt u de gebruiksaanwijzing van de EGO CH5500E Rapid Charger (snellader) raadplegen.

1. Sluit de lader (CH5500E) aan op de netvoeding (220-240V ~ 50Hz).
2. Steek de stekker in de bus van de accuadapter totdat u "twee kliks" hoort (afb. B).

Afb. B beschrijving van de onderdelen zie beneden:

B-1	Stekker
B-2	Adapter

3. Schuif de adapter op dezelfde manier als andere EGO accupacks naar beneden op de lader.

4. Terwijl het accupack wordt geladen, is de LCD-indicator aan en biedt zo de mogelijkheid, de laadstatus te controleren. Bij 100% is het accupack volledig geladen. Wacht totdat de ventilator tot stilstand is gekomen voordat u het accupack uit de lader verwijderd en de stekker uit het stopcontact haalt.
5. Het accupack zal volledig worden geladen wanneer het met de lader verbonden blijft, maar zal niet overladen worden. Het is echter aan te raden dat u stopt met laden, zodra hij volledig is opgeladen.

OPMERKING:

- Als u de stekker niet correct heeft aangesloten, knippert de LCD voortdurende.
- Een aanzienlijk kortere werkingstijd nadat het accupack volledig is geladen geeft aan dat het accupack het einde van zijn levensduur heeft bereikt en vervangen dient te worden.
- De lader kan tijdens het laden warm worden. Dit is normaal tijdens de werking van de lader. Laad in een goed geventileerde ruimte.
- Het accupack wordt inactief als het gedurende 72 uur niet meer wordt gebruikt, wat een invloed op het **LAAD**proces kan hebben. In dat geval drukt u eerst de inschakelknop om het accupack weer te activeren, alvorens het op te laden.

AANSLUITEN EN VERWIJDEREN VAN "FRAME + HARNAS" MET ACCUPACK

Aansluiten

Plaats het accupack in het "frame + harnas" en schuif hem totdat u een klik hoort (afb. C).

Verwijderen

Druk op de ontgrendelingsknop achter de draaggreepopening van het accupack en trek het pack naar achteren (afb. D).

Afb. D beschrijving van de onderdelen zie beneden:

D-1	Ontgrendelingsknop
D-2	Draaggreep

HET HARNAS MET ACCUPACK AANTREKKEN

Tijdens het normale gebruik wordt het accupack met "frame + harnas" op de rug gedragen. Om vermoeidheid te voorkomen en prettig te werken, is de draagplaat voorzien van een heupgordel, waardoor u vrij kunt bewegen.

De lengte van de heupgordel en de schouderriemen kunnen naar believen worden aangepast. Het rugkussen dient stevig en goed op uw rug te zitten.

- Pas de lengte van de riem voor het werken aan, de lengte dient met behulp van de riemgesp aan uw lichaam te worden aangepast. Steek vervolgens de beide delen van de riemgesp in elkaar totdat u een klik hoort (afb. E & F). Om het harnas met accupack van de rug te halen, drukt u op de riemknop en trekt u de beide delen uit elkaar.
- Pas de lengte van de schouderriemen aan met behulp van de gesp voor de riemen. Het harnas dient goed strak en comfortabel te zitten.

HET ACCUPACK INSTALLEREN EN VERWIJDEREN

Leid de kabel van het accupack langs de zijkant van het lichaam en sluit de adapter aan op de 1,5 m aansluitkabel. Volg de instructies in de gebruiksaanwijzing voor het individueel EGO product.

⚠ WAARSCHUWING: In noodgevallen dient u de accupack direct van uw schouders te nemen. Maak de riemgesp los en verwijder het schouderharnas aan elke kant met behulp van de snelle ontgrendelingsmethode.

⚠ WAARSCHUWING: Stel de schouderriemen niet te strak in aangezien u hierdoor problemen kunt krijgen om het accupack te verwijderen.

⚠ WAARSCHUWING: Slechts bepaalde EGO-producten kunnen met het accupack worden gebruikt, namelijk de heggenschaar (HT5100E, HT6500E), de blazer (LB5750E) en de grastrimmer (BC3800E). Wij raden u aan, het accupack niet in combinatie met andere elektrische gereedschappen te gebruiken.

ONDERHOUD

⚠ WAARSCHUWING: Het accupack moet in een gekwalificeerd EGO-servicecentrum of monteur worden gerepareerd of vervangen.

⚠ WAARSCHUWING: Om ernstig persoonlijk letsel te voorkomen dient u het accupack voor de reiniging of het onderhoud altijd uit het gereedschap te halen.

⚠ WAARSCHUWING: Bij reparatie mag u uitsluitend identieke EGO reserveonderdelen gebruiken. Het gebruik van andere onderdelen kan gevaar opleveren of schade aan het product veroorzaken.

⚠ WAARSCHUWING: Als het schoonmaken met perslucht echter de enige mogelijke manier is, dient u altijd een veiligheidsbril met zijdelingse schermen te gebruiken. Als deze handeling stof met zich meebrengt, dient u tevens een stofmasker te dragen.

ALGEMEEN ONDERHOUD

Maak de kunststof onderdelen niet schoon met oplosmiddelen. De meeste kunststoffen kunnen worden beschadigd wanneer ze in contact komen met commerciële oplosmiddelen. Gebruik een schone doek voor het verwijderen van vuil, stof, olie, smeer, etc.

⚠ WAARSCHUWING: Zorg dat remvloeistoffen, benzine, producten op basis van aardolie, oliën, etc. op geen enkel moment in aanraking komen met de kunststof onderdelen. Chemicaliën kunnen de kunststof onderdelen beschadigen, verzwakken of vernietigen en ernstig persoonlijk letsel veroorzaken.

BATTERIJEN

Het accupack is voorzien van oplaadbare lithium-ion accu's. De gebruiksduur van elke lading is afhankelijk van de uit te voeren werkzaamheden. De accu's in dit gereedschap werden ontworpen om te zorgen voor een maximale probleemloze levensduur. Maar zoals bij alle accu's, zullen ze uiteindelijk uitgeput raken.

Demonteer het accupack niet en probeer de batterijen niet te vervangen. Het dragen van ringen en juwelen tijdens het hanteren met accu's kan ernstige brandwonden veroorzaken. Voor de langst mogelijke levensduur van de batterij dient u de gebruiksaanwijzing te lezen en te begrijpen.

WAARSCHUWING: Het is aanbevolen om de lader te ontkoppelen en het accupack te verwijderen wanneer u het niet gebruikt.

HET ACCUPACK VERWIJDEREN EN VOOR RECYCLING VOORBEREIDEN



Li-ion

Gooi geen acculaders en accu's/oplaadbare batterijen met het huishoudelijk afval weg!

In overeenstemming met de Europese wet 2012/19/EG, dienen elektrische en elektronische apparaten die niet meer worden gebruikt, en in overeenstemming met de Europese wet 2006/66/EG, defecte of verbruikte accu-packs/accu's, apart en op een milieuvriendelijke manier te worden afgevoerd.

Raadpleeg uw lokale overheid voor informatie over de mogelijkheid tot recycling en/of verwijdering.

⚠ WAARSCHUWING: Na verwijdering van het accupack voor afvoer of recycling, dient u de aansluitklemmen van het accupack af te dekken met hoogwaardig plakband. Probeer niet om het accupack te vernietigen of demonteren, of om componenten te verwijderen. Recycle of verwijder lithium-ion batterijen op een correcte manier. Raak de polen nooit met metalen voorwerpen en/of lichaamsdelen aan aangezien dit tot kortsluiting kan leiden. Buiten het bereik van kinderen houden. Het negeren van deze waarschuwingen kan leiden tot brand en/of ernstig letsel.

PROBLEEMOPLOSSING

NL

PROBLEEM	ORZAAK	OPLOSSING
Het elektrisch gereedschap werkt niet.	<ul style="list-style-type: none"> ■ De adapter of het accupack is niet aangesloten aan het elektrisch gereedschap. ■ Er is geen elektrisch contact tussen het elektrisch gereedschap en accu. ■ Het accupack is uitgeput. ■ Het accupack of elektrisch gereedschap is te warm. ■ De kabel of adapter werkt niet. 	<ul style="list-style-type: none"> ■ Sluit het accupack aan op het elektrisch gereedschap. ■ Verwijder de adapter, controleer de aansluitklemmen en plaats de adapter terug. ■ Laad het accupack op. ■ Koel het accupack of het elektrisch gereedschap af totdat de temperatuur onder de normale gebruiksgrenzen daalt. ■ Neem contact op met een EGO-servicecenter.
“OVER TEMPERATURE” verschijnt op de LCD-indicator.	<ul style="list-style-type: none"> ■ De temperatuur van de accu bevindt zich boven of beneden een bepaalde waarde. 	<ul style="list-style-type: none"> ■ Stop met laden of ontladen totdat de temperatuur weer normaal is.
“CAN’T BE CHARGED” verschijnt op de LCD-indicator.	<ul style="list-style-type: none"> ■ De spanning van een accu bedraagt meer dan 4,3V. 	<ul style="list-style-type: none"> ■ Stop direct met laden, maar de accu kan ontladen. Als deze tip meerdere keren verschijnt, dient u contact op te nemen met een EGO-servicecentrum.
LCD-licht knippert voortdurend.	<ul style="list-style-type: none"> ■ De stekker is niet compleet aangesloten op de adapter of het accupack is aangesloten aan een niet herkend elektrisch gereedschap. 	<ul style="list-style-type: none"> ■ Steek de stekker opnieuw in de bus van de accuadapter totdat u “twee kliks” hoort. Gebruik elektrisch gereedschap van EGO.

GARANTIE

EGO GARANTIEVOORWAARDEN

Bezoek onze website egopowerplus.com voor alle voorwaarden van de EGO garantie.

LÆS ALLE ANVISNINGER!



LÆS BRUGSANVISNINGEN

⚠ Særlig risiko! Folk med elektroniske anordninger, såsom pacemakere, bør spørge deres læge til råds, før de bruger dette produkt. Betjening af elektrisk udstyr i umiddelbar nærhed af en pacemaker kan forårsage forstyrrelser eller svigt af pacemakeren.

⚠ ADVARSEL: For at sikre sikkerhed og pålidelighed, bør alle reparationer og udfikninger udføres af en kvalificeret servicetekniker.

SIKKERHEDSSYMBOLER

Formålet med sikkerhedssymboler er at gøre dig opmærksom på mulige farer. Du bør være meget opmærksom på sikkerhedssymbolerne og forklaringer til dem og lære at forstå dem. Symboladvarslere fjerner ikke i sig selv eventuelle farer. Anvisningerne og advarslerne er ingen erstatning for korrekte forebyggelsesforanstaltninger mod ulykker.

⚠ ADVARSEL: Sørg for at læse og forstå alle sikkerhedsanvisninger i denne brugsanvisning, inklusive alle sikkerhedssymboler, såsom "FARE", "ADVARSEL" og "FORSIGTIG", før du bruger dette værktøj. Hvis du ikke følger advarslere og anvisninger, kan det resultere i elektrisk stød, brand og/eller alvorlig personskade.

⚠ ADVARSEL: Risiko for brand og forbrændinger. Må ikke skilles ad, opvarmes til over 100 °C eller brændes. Opbevar batteripakken utilgængeligt for børn og i originalemballagen, indtil den er klar til brug. En brugt batteripakke bortskaffes omgående i overensstemmelse med lokale forskrifter for genbrug eller affald.

SIKKERHEDSANVISNINGER

Denne side viser og beskriver sikkerhedssymboler, der kan forekomme på dette produkt. Læs, forstå, og følg alle anvisninger på maskinen, før du forsøger at samle og betjene den.

	Sikkerhedsvarsel	Angiver en potentiel fare for personskade.
	Læs brugsanvisningen	For at nedsætte risikoen for personskade, skal brugeren læse og forstå brugsanvisningen, før dette produkt tages i brug.

	Genbrugssym-boler	Smid ikke brugte batteripakker/batterier i skraldespanden, ild eller vand. Batteripakker/ batterier bør indsamles, genbruges eller bortskaffes på en miljømæssigt forsvarlig måde.
	Må ikke udsættes for regn	Apparatet må ikke bruges i regn og må ikke efterlades udenfor i regnvej.
	Det Europæiske Fællesskab	Dette produkt er i overensstemmelse med gældende EU-direktiver.
	WEEE	Affald fra elektriske produkter bør ikke bortskaffes sammen med husholdningsaffald. Bring det til en godkendt genbrugsplads.
V	Volt	Spænding
A	Ampere	Strøm
W	Watt	Effekt
min	Minutter	Tid
	Jævnstrøm	Spændingstype eller -karakteristika

DK

⚠ ADVARSEL: Læs og forstå alle anvisninger. Hvis du ikke følger alle anvisninger, kan det medføre elektrisk stød, brand og/eller alvorlig personskade. Udtrykket "elværktøj" i de fleste advarslere refererer til EGO Power+ batteridrevne (ledningsfrie) plæne- og havemaskiner.

SIKKERHED I ARBEJDSOMRÅDET

- Hold arbejdsområdet rent og godt oplyst. Rode eller uoplyste arbejdsområder inviterer til ulykker.
- Brug ikke elværktøj i eksplosive omgivelser, såsom ved tilstedeværelse af brændbare væsker, gasser eller støv. Elværktøj kan slå gnister og antænde støv eller dampe.

SIKKERHED OMKRING ELEKTRICITET

- Elværktøj må ikke udsættes for regn eller våde forhold. Hvis der kommer vand ind i et elværktøj, øges risikoen for elektrisk stød.
- Brug kun opladere og elværktøj er opført i "SPECIFIKATIONER".

BATTERIPAKKENS BRUG OG PLEJE

- **Der må kun oplades med opladeren, der er angivet af fabrikanten.** En oplader, der er egnet til én type batteripakke, kan skabe risiko for brand, hvis den benyttes til en anden batteripakke.
- **Brug kun batteripakken sammen med de dertil beregnede elværktøjer.** Bruges den i andre elværktøjer, kan det føre til personskade eller brand.
- **Når batteripakken ikke er i brug, skal den holdes væk fra andre metalgenstande, såsom papirclips, mønter, nøgler, søm, skruer eller andre små metalgenstande, der kan kortslutte polerne.** Hvis batteripolerne kortsluttes, kan det føre til forbrændinger eller brand.
- **Ved forkert anvendelse kan der slippe væske ud af batteriet: Undgå kontakt. Kommer man uheldigvis i kontakt med væsken: Skyl med vand.** Hvis væsken kommer i øjnene, skal man også søge læge. Væskesprøjt fra batteriet kan forårsage irritation eller forbrændinger.
- **Undlad at skille sekundære battericeller eller batterier ad eller åbne eller skære i dem.**
- **Udsæt ikke battericeller eller batterier for varme eller ild.** Undgå opbevaring i direkte sollys.
- **En battericelle eller et batteri må ikke kortsluttes.** Opbevar ikke battericeller eller batterier hulter til bulter i en kasse eller skuffe, hvor de kan kortslutte hinanden eller blive kortslettet af andre metalgenstande.
- **Tag ikke en battericelle eller et batteri ud af den originale emballage før brug.**
- **Udsæt ikke battericeller eller batterier for fysisk stød.**
- **Hvis en battericelle lækker, må væsken ikke komme i kontakt med hud eller øjne.** Hvis den er kommet i øjnene eller på huden, vaskes det berørte område med rigelige mængder vand. Derefter søges læge.
- **Benyt ikke nogen anden oplader end den, der specifikt medfølger til brug med udstyret.**
- **Brug ikke nogen battericelle eller noget batteri, der ikke er beregnet til brug med udstyret.**
- **Bland ikke battericeller af forskellige fabrikater, effekter, størrelser eller typer i et apparat.**
- **Hold battericeller og batterier utilgængelige for børn.**
- **Søg omgående læge, hvis nogen har slugt en battericelle eller et batteri.**
- **Køb altid den rigtige battericelle eller det rigtige batteri til udstyret.**
- **Battericeller og batterier holdes rene og tørre.**
- **Rengør battericellens eller batteriets poler med en ren tør klud, hvis de bliver beskidte.**
- **Sekundære battericeller og batterier skal oplades før brug. Brug altid den rigtige oplader, og se fabrikantens anvisninger eller udstyrets instruktionsbog for anvisninger på korrekt opladning.**
- **Lad aldrig et batteri lade i længere tid, når det ikke er i brug.**
- **Efter længere tids opbevaring kan det være nødvendigt at oplade og aflade battericellerne eller batterierne flere gange for at opnå maksimal ydelse.**
- **Sekundær battericeller og batterier giver de bedste resultater når de benyttes ved normal rumtemperatur (20 °C ± 5 °C).**
- **Behold de oprindelige papirer på produktet til eventuel senere brug.**
- **Brug kun battericellen eller batteriet til den anvendelse, den er beregnet til.**
- **Hvis det er muligt, fjernes batteriet fra udstyret, når det ikke er i brug.**
- **Bortskaf på korrekt vis.**
- **SERVICE**
- **Følg anvisningerne i afsnittet i denne manual om Vedligeholdelse. Anvendelse af uautoriserede dele eller manglende overholdelse af vedligeholdelsesanvisningen kan give risiko for stød eller personskade.**
- **SPECIFIKKE SIKKERHEDSREGLER**
- **Kend dit elværktøj. Læs brugsanvisningen omhyggeligt. Lær anvendelsesmuligheder og begrænsninger samt de specifikke potentielle risici forbundet med værktøjet. Hvis denne regel følges, vil det mindske risikoen for elektrisk stød, brand eller alvorlig personskade.**
- **Batteridrevne værktøjer behøver ikke at være tilsluttet en stikkontakt, og derfor er de altid driftsklar. Vær opmærksom på mulige farer, når du ikke bruger dit batteridrevne værktøj. Batteriet skal altid tages ud, inden der skiftes tilbehør. Hvis denne regel følges, vil det mindske risikoen for elektrisk stød, brand eller alvorlig personskade.**
- **Læg ikke batteridrevne værktøjer eller batteripakken i nærheden af åben ild eller varmekilder. Dette vil mindske risikoen for eksplosion og evt. personskade.**

- **Smid ikke batteriet i ilden. Battericellerne kan eksplodere. Undersøg de lokale forskrifter for eventuelle særlige anvisninger på bortskaffelse.**
- **Undlad at åbne eller mishandle batteriet. Udsivende elektrolyt er ætsende og kan forårsage skader på øjne eller hud. Væsken kan være giftig ved indtagelse.**
- **Undlad at mase, tabe eller beskadige batteripakken.** Brug ikke et batteri eller en oplader, der er blevet tabt eller har fået et kraftigt slag. Et beskadiget batteri vil kunne eksplodere. Bortskaf straks et tabt eller beskadiget batteri.
- **Batterier afgiver brintgasser og kan eksplodere i nærheden af en antændelseskilde, såsom en tændflamme.** For at reducere risikoen for alvorlig personskade bør man aldrig bruge ledningsfrie produkter i nærheden af åben ild. Et eksploderet batteri kan sende snavs og kemikalier i alle retninger. Ved udsættelse herfor skylles straks med vand.
- **Batteripakken må ikke oplades på fugtige eller våde steder.** Hvis denne regel følges, vil det mindske risikoen for elektrisk stød.
- **For at opnå de bedste resultater bør dit batteri oplades et sted, hvor temperaturen er over 0 °C og under 40 °C. Opbevar det ikke uden for eller i køretøjer.**
- **Under ekstreme temperaturforhold kan batteriet lække.** Hvis væsken kommer i kontakt med huden, vaskes straks med vand og sæbe, og derefter neutraliseres med citronsaft eller eddike. Hvis du får væsken i øjnene, skal øjnene skylles med rent vand i mindst 10 minutter, og derefter søges straks lægehjælp. Hvis denne regel følges, vil det mindske risikoen for alvorlig personskade.
- **Lad ikke benzin, olier, oliebaseerede produkter osv. komme i kontakt med plastdele.** Disse stoffer indeholder kemikalier, der kan skade, svække eller ødelægge plast.
- **Få din batteripakke set efter af en kvalificeret tekniker. Der må kun bruges identiske reservedele.** Derved sikrer man, at batteripakken forbliver sikker at bruge.

Gem disse anvisninger. Brug dem ofte, og brug dem til at instruere andre, der skal bruge dette værktøj. Hvis du låner dette værktøj ud, så lad anvisningerne følge med, så låneren også undgår fejlbrug af produktet og mulig personskade.

SPECIFIKATIONER

Nominel spænding	56 V ---
Nominel kapacitet	1300 Wh
Adapter til oplader	CH5500E
Adapter til elværktøj	HT5100E, HT6500E, LB5750E, BC3800E
Vægt (uden adapter)	8,9 Kg

BESKRIVELSE

KEND DIN BATTERIPAKKE (fig. A)

1. Batteripakke
2. LCD-indikator
3. Ledning
4. Adapter (sælges separat)
5. Tænd/sluk-knap
6. Udløserknap
7. Monteringshul
8. Bæltespænde
9. Seletøj
10. Ramme
11. Rem
12. MONTAGE roterende sværd
13. Ramme + seletøj (sælges separat)
14. Hoftepudd (sælges separat)

BETJENING

STRØMINDIKATOR PÅ BATTERIPAKKEN

Denne batteripakke er udstyret med en LCD-indikator, der angiver EGO-logoet, faktisk batterikapacitet og fejlkoder. Når der trykkes på batteriets tænd/sluk-knap, vil LCD-indikator lyse i 10 sekunder og angive EGO-logo, og batteristatus i rækkefølge.

- Indikatoren vil fortsat lyse under brug og opladning
- Hvis batterikapaciteten er under 5 %, vil kapacitetsvisningen vise "LOW".

BATTERIBESKYTTELSE

Batterikredsløbet beskytter batteripakken mod ekstrem temperatur, over-afledning, overstrøm og overoplading. For at beskytte batteripakken mod skader og forlænge dens levetid vil batteripakkens kredsløb slukke for batteripakken, hvis den overbelastes, eller hvis temperaturen bliver for høj eller for lav under brug. Dette kan ske ved ekstremt højt drejningsmoment, hvis værktøjet binder eller er ved at sætte ud.

- Ved opladning vil batteriet lukke ned med **"ERROR"** og **"OVER TEMPERATURE"** vist i LCD-indikatoren, når dens temperatur overstiger 45 °C eller kommer under 0 °C. Når temperaturen går tilbage til normal efter 90 minutter, begynder batteriet automatisk at virke. Hvis batteriet lukker ned, skal du sætte adapteren i opladeren igen, for at genoplade batteriet.
- Batteripakken vil lukke ned med **"ERROR"** og **"CAN'T BE CHARGED"** vist på LCD-indikatoren, når spændingen i en battericelle overstiger 4.3V. Det anbefales straks at aflade batteriet. Hvis dette tip gentages flere gange, kontaktes EGO's servicecenter.
- Hvis batteriet af afladet, lukker batteriet ned og viser **"ERROR"** og **"OVER TEMPERATURE"** på LCD-indikatoren, hvis temperaturen kommer over 60 °C eller under -20 °C. I begge situationer begynder batteripakken at fungere igen, når temperaturen er normal igen, og vil sætte elværktøjet i gang igen.
- Batteriet vil lukke ned med **"ERROR"** og **"OVER LOAD"** vist på LCD-indikator, når den maksimale afladningsspænding overstiger 40A. Det anbefales at stoppe arbejdet og kontakte serviceteknikeren for hjælp.

⚠ ADVARSEL: Du bør aldrig under nogen omstændigheder opvarme batteripakken.

OPLAD BATTERIPAKKEN

Batteripakken forsendes delvist opladet. Før den tages i brug første gang, bør batteriet oplades.

⚠ ADVARSEL: Lad ikke batteripakken op udendørs, og udsæt den heller ikke for våde eller fugtige betingelser. Vand i opladeren eller batteripakken øger risikoen for elektrisk stød. For yderligere oplysninger henvises til brugsanvisning for EGO CH5500E hurtigoplader.

1. Slut opladeren til strømforsyningen (220-240 V ~ 50 Hz).
2. Sæt stikket i stikkontakten på batteriadapter, indtil der høres "to klik" (fig. B).

Beskrivelse af dele i fig. B, se nedenfor:

B-1	Stik
B-2	Adapter

3. Skub adapteren ned i opladeren på samme måde som ved andre EGO-batteripakker.
4. Mens batteripakken oplades, lyser LCD-indikatoren, så man kan aflæse opladningskapaciteten; ved 100 % er batteriet fuldt opladet. Vent, indtil køleventilatoren stopper, fjern batteripakken fra opladeren, og frakobl opladeren fra strømforsyningen.
5. Batteripakken vil lade helt op, hvis den forbliver på opladeren, men den vil ikke blive overopladet. Dog anbefales det, at du ophører med at lade op, når fuld opladning er nået.

BEMÆRK:

- Hvis du ikke har sat stikket helt i, vil LCD-lyset blinke kontinuerligt.
- Hvis driftstiden er faldet betydeligt efter fuld opladning af batteripakken, viser det, at batterierne er ved udløbet af deres anvendelsestid og bør udskiftes.
- Opladeren kan blive varm under opladningen. Dette er en del af opladerens normale drift. Oplad i et godt ventileret område.
- Batteripakken går i dvale efter 72 timer uden brug, hvilket kan påvirke opladningen. I dette tilfælde skal du først trykke på kontakten, for at aktivere batteripakken, inden den oplades.

TILSLUT OG FRAKOBL "RAMME + SELETØJ" TIL BATTERIPAKKEN

Tilslutning

Sæt batteriet i "ramme + seletøj" og skub det, indtil den klikker på plads (fig. C).

Frakobling

Tryk på udløserknappen bag bæregrebets åbning til strømheden, og træk pakken opad (fig. D).

Beskrivelse af dele i fig. D, se nedenfor:

D-1	Udløserknop
D-2	Bæregreb

TAG SELETØJ MED BATTERIPAKKE PÅ

Ved normal drift bæres batteripakke med "ramme + seletøj" på ryggen. For at forebygge træthed og gøre arbejdet komfortabelt er bærepladen forsynet med et led i hofteselen, der garanterer fri bevægelighed.

Hofteselens og skulderstropperne seletængde kan justeres efter ønske. Rygpuden skal sidde nøjagtigt og fast på din ryg.

- Justér selens længde efter behag, før du går i gang med arbejdet; længden skal tilpasses din krop ved hjælp af bæltespændet. Indsæt derefter de to dele af bæltespændet i hinanden, indtil de klikker på plads (fig. E & F). Seletøj og batteripakke tages af ved at trykke på knappen på bæltet og trække de to dele fra hinanden.
- Justér længden af skulderstropperne spændt på stropperne. Seletøjet bør være spændt korrekt for at være behageligt at bære.

PÅSÆTNING / AFTAGNING BATTERIPAKKEN

Før batteripakkens ledning rundt langs siden af værktøjet, og tilslut adapteren til det 1,5 m lange tilslutningskabel. Følg anvisningerne i brugsanvisningen for det enkelte EGO-produkt.

⚠ ADVARSEL: I tilfælde af en nødsituation tages batteripakken straks af skulderen. Det gøres hurtigt ved at løse bæltespændet og tage skulderselen af på hver side.

⚠ ADVARSEL: Spænd ikke skulderstropperne for meget, da det kan gøre det svært at tage batteripakken af.

⚠ ADVARSEL: Batteripakken passer kun til visse EGO-produkter, nemlig hækkeklipperne (HT5100E, HT6500E), løvblæseren (LB5750E) og græstrimmeren (BC3800E). Vi anbefaler, at du ikke bruger batteripakken til andre elværktøjer.

VEDLIGEHOLDELSE

⚠ ADVARSEL: Batteripakken skal repareres eller udskiftes på et af EGO's kvalificerede servicecenter og af teknikere dér.

⚠ ADVARSEL: For at undgå alvorlig personskade skal batteriet altid fjernes fra batteripakken ved udskiftning af tilbehør, rengøring eller under vedligeholdelse.

⚠ ADVARSEL: Ved service må der kun bruges originale reservedele fra EGO. Brug af andre reservedele kan medføre fare eller forårsage skader på produktet.

⚠ ADVARSEL: Hvis der kun rengøres med trykluft, så bær altid beskyttelsesbriller eller sikkerhedsbriller med sidebeskyttelse. Hvis arbejdet er støvet, bæres også støvmaske.

ALMINDELIG VEDLIGEHOLDELSE

Undgå at bruge opløsningsmidler ved rengøring af plastdele. De fleste plastmaterialer risikerer at blive ødelagt ved brug af forskellige typer af alment tilgængelige opløsningsmidler. Brug rene klude til at fjerne snavs, støv, olie, fedt etc.

⚠ ADVARSEL: Lad aldrig bremsevæske, benzin, oliebaseerede produkter, indtrængende olier osv. komme i kontakt med plastdele. Kemikalier kan beskadige, svække og ødelægge plastik, hvilket kan føre til alvorlige personskader.

BATTERIER

Batteripakken er udstyret med genopladelige lithium-ion batterier. Typen af arbejde er bestemmende for, hvor længe en opladning vil holde. Batterierne i dette værktøj er designet til at give maksimal problemfri drift i levetiden. Som alle andre batterier vil de med tiden blive flade.

Skil ikke batteripakken ad og prøv heller ikke at udskifte cellerne. Hvis man under håndteringen af batterier bærer ringe og smykker, kan det resultere i alvorlige forbrændinger. For at opnå den længst mulige batterilevetid: Læs og forstå brugsanvisningen.

⚠ ADVARSEL: Det er bedst at frakoble opladeren og tage batteripakken ud, når den ikke er i brug.

AFTAGNING AF BATTERIPAKKE OG FORBEREDELSE AF GENBRUG



Smid ikke batterioplader og batterier / genopladelige batterier i affaldsspanden!

Ifølge EU-direktiv 2012/19/EU og EU-direktiv 2006/66/EF skal henholdsvis elektrisk og elektronisk udstyr, der ikke længere er brugbart, og defekte eller brugte batterier / batteripakker indsamles, genbruges eller bortskaffes på en miljømæssigt forsvarlig måde.

Kontakt din lokale affaldsmyndighed for oplysninger om, hvor produktet kan genbruges og/eller bortskaffes.

⚠ ADVARSEL: Når batteripakken tages ud, og skal bortskaffes eller sendes til genbrug, skal batteriterminalerne tapes til med kraftig tape. Ingen af delene på batteripakken må tages af, og batteripakken må ikke ødelægges eller adskilles. Litium-ion-batterier skal genbruges eller bortskaffes korrekt. Batteriterminalerne må aldrig røres med metalgenstande og/eller kropsdele, da dette kan kortslutte batteriet. Skal holdes væk fra børn. Hvis disse advarsler ikke overholdes, kan det føre til brand og/eller alvorlige skader.

FEJLFINDING

PROBLEM	ÅRSAG	LØSNING
Elværktøjet virker ikke.	<ul style="list-style-type: none"> ■ Batteripakkens adapter er ikke sat i elværktøjet. ■ Ingen elektrisk kontakt mellem elværktøjet og batteriet. ■ Batteripakken er afladet ■ Batteripakken eller elværktøjet er for varmt. ■ Ledningen eller adapteren fungerer ikke. 	<ul style="list-style-type: none"> ■ Sæt batteripakken på elværktøjet. ■ Fjern adapteren, kontrollér kontakterne og sæt adapteren til igen. ■ Oplad batteripakken. ■ Afkøl batteripakken eller elværktøjet, indtil temperaturen falder til under normale værdier. ■ Tag kontakt til dit EGO-servicecenter.
"OVER TEMPERATURE" Vist i LCD-indikator.	<ul style="list-style-type: none"> ■ Batteriets temperatur ligger over eller under den specificerede værdi. 	<ul style="list-style-type: none"> ■ Stop opladning eller afladning, indtil temperaturen er normal.
"CAN'T BE CHARGED" Vist i LCD-indikator.	<ul style="list-style-type: none"> ■ Spændingen i en battericelle overstiger 4.3V. 	<ul style="list-style-type: none"> ■ Opladningen skal standses øjeblikkeligt, men batteriet kan aflade. Hvis dette tip gentages flere gange, kontaktes EGO's servicecenter.
LCD-indikator blinker konstant.	<ul style="list-style-type: none"> ■ Stikket er ikke sat helt ind i adapteren, eller batteripakken er sat til et ukendt elværktøj. 	<ul style="list-style-type: none"> ■ Sæt stikket i stikkontakten på batteriadapter igen, indtil der mærkes "to klik" (fig. B). Brug EGO-elværktøj.

DK

GARANTI

EGO's GARANTIPOLITIK

Besøg venligst hjemmesiden egopowerplus.com for fuldstændige vilkår og betingelser for EGO's garantipolitik.

LÄS IGENOM OCH FÖRSTA BRUKSANVISNINGEN!



LÄS IGENOM BRUKSANVISNINGEN

⚠ Kvarstående risker! Personer med elektroniska implantat såsom hjärtstimulatorer bör konsultera sin(a) läkare innan de använder denna produkt. Användning av elutrustning nära en hjärtstimulator kan störa eller avbryta dess funktion.

⚠ VARNING! Alla reparationer bör utföras av en kvalificerad servicetekniker för att upprätthålla produktens säkerhet och driftssäkerhet.

SÄKERHETSSYMBOLER

Syftet med säkerhetssymboler är att fästa din uppmärksamhet på eventuella risker. Säkerhetssymbolerna och deras betydelser bör uppmärksammas nogga och förstås. Själva varningssymboler kan dock inte förebygga någon fara. De instruktioner och varningar som de hänvisar till kan aldrig ersätta lämpliga olycksförebyggande åtgärder.

⚠ VARNING! Se till att läsa igenom och förstå alla säkerhetsinstruktioner i bruksanvisningen, inklusive alla varningssymboler såsom **“RISK”**, **“VARNING”** och **“VAR FÖRSIKTIG”**, innan produkten tas i bruk. Underlåtenhet att följa alla nedan angivna instruktioner kan leda till elstöt, brand och/eller svår personskada

⚠ VARNING: Risk för brand och brännskador
Får inte monteras isär, värmas över 100 °C eller förbrännas. Förvara batteriet utom räckhåll för barn och i originalförpackningen tills det är färdigt att användas. Kassera begagnat batteripaket omgående i enlighet med lokala återvinnings- eller avfallsbestämmelser.

SÄKERHETSINSTRUKTIONER

Denna sida avbildar och beskriver säkerhetssymboler som kan förekomma på produkten. Läs, förstå och följ alla anvisningar på utrustningen innan du försöker montera och använda den.

	Säkerhetsvarning	Indikerar en potentiell risk för personskador.
	Läs igenom bruksanvisningen	Användaren bör läsa igenom och förstå bruksanvisningen innan produkten tas i bruk för att minska risken för personskada.
	Återvinningsymboler Li-ion	Kassera inte batteripaket/batterier i hushållsoporna, eld eller vatten. Batteripaket/batterier ska samlas in, återvinnas eller avfallshandteras på ett miljövänligt sätt.
	Får inte utsättas för regn	Använd inte i regn och lämna inte heller utomhus när det regnar.
	CE	Denna produkt är i enlighet med gällande EC-direktiv.
	WEEE	Förbrukade elektriska produkter får inte kastas i hushållsoporna. Lämna in dem till en auktoriserad återvinningsstation.
V	Volt	Spänning
A	Strömstyrka	Ström
W	Watt	Effekt
min	Minuter	Tid
	Likström	Strömtyp eller -karaktäristik

⚠ VARNING: Läs och förstå alla instruktioner.
Underlåtenhet att följa instruktionerna kan leda till elstöt, brand eller allvarig personskada. Uttrycket „Motordrivet redskap“ i de flesta angivna varningstexter avser EGO motor- + batteridrivna (sladdlösa) maskiner för gräsmatta och trädgård.

ARBETSOMRÅDESSÄKERHET

- **Håll arbetsområdet rent och väl upplyst.** Belamrade eller mörka ytor inbjuder till olyckor.
- **Kör inte motordrivna redskap i explosiva miljöer, t.ex. där lättantändliga vätskor, gaser eller damm förekommer.** Motordrivna redskap alstrar gnistor, vilka kan antända dammet eller ångorna.

ELEKTRISK SÄKERHET

- Utsätt inte motordrivna redskap för regn eller våta förhållanden. Vatten som tränger in i ett motordrivet redskap ökar risken för elstötar.
- Får enbart användas med laddare och motordrivna redskap uppräknade under "TEKNISKA DATA".

ANVÄNDNING OCH SKÖTSEL AV BATTERIPAKET

- Får enbart laddas med av tillverkaren specificerade laddare. En laddare som passar för en typ av batteripaket kanske ger upphov till brandrisk när den används med ett annat batteripaket.
- Använd batteripaketet enbart med specifikt därför avsedda motordrivna redskap. Användning av några andra motordrivna redskap kan ge upphov till risk för personskada och brand.
- När batteripaketet inte används, ska det förvaras på avstånd från andra metallföremål som gem, mynt, nycklar, spikar, skruvar och andra små metallföremål, som skulle kunna skapa en förbindelse från en pol till en annan. Kortslutning av batteripolerna kan orsaka brännskador eller brand.
- Under missbruksförhållanden kan vätska sprutas ur batteriet; undvik kontakt. Skölj med vatten, om kontakt inträffar oavsiktligt. Kommer vätska i kontakt med ögonen ska dessutom läkarhjälp uppsökas. Vätska som sprutas ut från batteriet kan orsaka irritation eller brännskador.
- Sekundära celler eller batterier får inte monteras isär, öppnas eller krossas.
- Utsätt inte celler eller batterier för hetta eller eld. Undvik förvaring i direkt solljus.
- Kortslut inte en cell eller ett batteri. Förvara inte celler eller batterier oordnat i en kartong eller låda, där de kan kortslytas inbördes eller kortslytas av andra metallföremål.
- Ta inte ut en cell eller ett batteri ur originalförpackningen innan användning ska ske.
- Utsätt inte celler eller batterier för mekaniska stötar.
- För det fall en cell läcker, låt inte vätskan komma i kontakt med huden eller ögonen. Om kontakt har skett, tvätta med rikliga mängder vatten och sök läkarhjälp.
- Använd ingen annan laddare än den som specifikt tillhandahållits för att användas med utrustningen.
- Använd inte cell eller batteri, som inte är avsedd att användas med utrustningen.
- Blanda inte celler av olika fabrikat, kapacitet, storlek eller typ inom en utrustning.

- Förvara celler och batteriet utom räckhåll för barn.
- Sök omedelbart läkarhjälp om cell eller batteri har svalts.
- Köp alltid rätt cell eller batteri till utrustningen.
- Håll celler och batterier rena och torra.
- Torka av cellen eller batteripolerna med en ren torr trasa om de blivit smutsiga.
- Sekundärceller och batterier måste laddas före användning. Använd alltid rätt laddare och läs tillverkarens anvisningar eller utrustningshandboken för korrekta laddningsinstruktioner.
- Låt inte ett batteri stå på förlängd laddning när det inte används.
- Efter längre förvaringsperioder kan det vara nödvändigt att ladda och urladda celler eller batterier flera gånger för att få maximala prestanda.
- Sekundärceller och batterier ger bästa prestanda när de används vid normal rumstemperatur (20 °C ± 5 °C).
- Spara den ursprungliga produktlitteraturen för framtida bruk.
- Använd enbart cellen eller batteriet för den tillämpning för vilken den var avsedd.
- Ta om möjligt ut batteriet ur utrustningen när den inte används.
- Avfallshantera på rätt sätt.

SERVICE

- Följ anvisningarna i underhållsavsnittet i denna handbok. Användning av otillåtna delar eller underlåtenhet att följa anvisningarna kan leda till risk för elstötar eller personskada.

SPECIFIKA SÄKERHETSBESTÄMMELSER

- Lär känna ditt motordrivna redskap. Läs bruksanvisningen noggrant. Lär dig såväl tillämpningar och begränsningar som de specifika risker som hör samman med redskapet. Genom att följa denna regel minskas risken för elstötar, brand eller allvarlig personskada.
- Batteridrivna redskap behöver inte anslutas till något eluttag och är därför alltid driftsklart skick. Var medveten om ev risker när du inte använder ditt batteridrivna redskap. Ta alltid bort batteriet innan du byter tillbehör. Genom att följa denna regel minskas risken för elstötar, brand eller allvarlig personskada.
- Placera inte batteridrivna redskap eller batteripaket i närheten av eld eller värmekälla. Detta minskar risken för explosion och ev personskada.

- **Batterierna får inte kasseras i eld.** Cellerna kan explodera. Kontrollera alltid lokala bestämmelser avseende ev speciella avfallshanteringsinstruktioner.
- **Öppna eller deformera inte batteriet.** Frigjord elektrolyt är frätande och kan orsaka skador på ögon eller hud. Den kan vara giftig om den förtärs.
- **Krossa, tappa eller skada inte batteripaketet.** Använd inte ett batteripaket eller en laddare som tappats eller fått ett kraftigt slag. Ett skadat batteri kan medföra en explosion. Avfallshantera omedelbart ett tappat eller skadat batteri på rätt sätt.
- **Batterier avger vätgas och kan explodera i närvaro av en tändkälla, t.ex. en pilotlampa.** För att minska risken för allvarlig personskada, ska du aldrig använda en sladdlös produkt i närvaro av öppen låga. Ett exploderande batteri kan slunga ut skräp och kemikalier. Om du drabbas, sak du omedelbart skölja med vatten.
- **Ladda inte batteriet i fuktig eller våt miljö.** Genom att följa denna regel minskas risken för elstötar.
- **För bästa resultat bör du ladda batteriet på en plats där temperaturen ligger över 0°C och under 40°C.** Förvara det inte utomhus eller i fordon.
- **Batteriet kan komma att läcka vid extrem användning eller externa temperaturer.** Om vätska kommer i kontakt med huden, ska du omgående tvätta med tvål och vatten och sedan neutralisera med citronsaft eller vinäger. Om du får vätska i ögonen, ska du skölja med rent vatten i minst 10 minuter och sök sedan omgående läkarhjälp. Genom att följa denna regel minskas risken för allvarlig personskada.
- **Låt inte bensin, oljor, petroleumbaserade produkter etc. komma i kontakt med plastdelar.** Dessa ämnen innehåller kemikalier, som kan skada, försvaga eller förstöra plast.
- **Låt en kompetent reparatör som använder identiska utbytesdelar utföra service på ditt batteripaket.** Detta säkerställer att batteripaketets säkerhet bibehålls.

Spara dessa instruktioner. Läs dem ofta och använd dem för att instruera andra, som kan komma att använda detta redskap. Om du lånar ut redskapet till någon, ska du också skicka med instruktionerna för att förebygga missbruk av produkten och ev personskada.

SPECIFIKATIONER

Märkspänning	56 V ---
Nominell effekt	1300 Wh
Laddaradapter	CH5500E
Adapter för motordrivna redskap	HT5100E, HT6500E, LB5750E, BC3800E
Vikt (utan adapter)	8,9 Kg

BESKRIVNING

LÄR KÄNNA DITT BATTERIPAKET (fig. A)

1. Batteripaket
2. LCD indikator
3. Kabel
4. Adapter (säljs separat)
5. Omkopplarknapp
6. Frigöringsknapp
7. Monteringshåll
8. Remspänne
9. Sele
10. Ram
11. Rem
12. Roterande svärdenhet
13. Ram + sele (säljs separat)
14. Höftdyna (säljs separat)

ANVÄNDNING

STRÖMINDIKATOR PÅ BATTERIPAKETET

Detta batteripaket är försett med en LCD-indikator, som visar EGO-logotypen, faktisk batterikapacitet och felkoder. När du trycker på batteriets omkopplarknapp, tänds LCD-indikatorn i 10 sekunder och visar i tur och ordning EGO-logotypen, och batteristatus.

- Indikatorn fortsätter att vara tänd under användning och laddning
- Om batterikapaciteten ligger under 5 %, visar kapacitetsindikeringen "LÅG".

SKYDD AV BATTERIET

Batterikretsen skyddar batteriet mot extrema temperaturer, överurladdning, överström och överladdning. För att skydda batteriet mot skador och förlänga dess livslängd, slår batteripaketskretsen från batteripaketet om det överbelastas eller om temperaturen blir för hög eller för låg under användning. Detta kan inträffa vid extremt höga vridmoment, kärvnings- och överlastsituationer.

- I samband med laddning stängs batteriet av och **“FEL”** och **“ÖVERTEMPERATUR”** visas på LCD-indikatorn när temperaturen kommer över 45°C eller under 0°C. När temperaturen har återgått till normalt värde efter 90 minuter så fungerar batteriet automatiskt igen. Annars stängs batteriet av, skjut in adaptorn i laddaren igen för att återaktivera laddningen.
- Batteripaketet stängs av och **“FEL”** och **“KAN INTE LADDAS”** visas på LCD-indikatorn när spänningen i en battericell överskrider 4,3 V. Omedelbar urladdning av batteriet rekommenderas. Om detta problem upprepas flera gånger, ber vi dig kontakta EGO servicecenter.
- Vid urladdning stängs batteripaketet av och **“ERROR” (FEL)** och **“ÖVERTEMPERATURE” (ÖVERHETTNING)** visas på LCD-indikatorn när dess temperatur överstiger 60 °C eller understiger -20 °C. Batteripaketet återgår till arbete under båda förhållandena när normaltemperaturer åter råder och möjliggör omstart av det motordrivna redskapet.
- Batteripaketet stängs av och **“FEL”** och **“ÖVERLAST”** visas på LCD-indikatorn när den maximala urladdningsströmmen överstiger 40 A. Vi rekommenderar att du slutar arbeta och kontaktar din servicetekniker för assistans.

⚠ VARNING: Du får aldrig under några omständigheter värma batteriet.

LADDA BATTERIPAKETET

Batteripaketet levereras delladdat. Batteriet ska laddas innan det används första gången.

⚠ VARNING: Ladda inte batteripaketet utomhus och utsätt det inte för våta eller fuktiga förhållanden. Vatten som tränger in i laddaren eller batteripaketet ökar risken för elstöt. För ytterligare information hänvisas till bruksanvisningen för EGO CH5500E snabbbladdare.

1. Anslut laddaren (CH5500E) till strömkällan (220-240 V ~ 50 Hz).

2. Sätt in kontakten i uttaget på batteriadaptorn tills du hör “två klickljud” (fig. B)

Se nedan för delbeskrivning fig. B.

B-1	Kontakt
B-2	Adapterr

3. Skjut ned adaptorn på laddaren med samma metod som för andra EGO-batteripaket.
4. Medan batteriet laddas är LCD-indikatorn upplyst och möjliggör avläsning av laddningskapaciteten, vid 100 % är batteripaketet fulladdat. Vänta tills kylfläkten stannar, ta bort batteripaketet från laddaren och koppla bort laddaren från strömkällan.
5. Batteripaketet fulladdas om det lämnas kvar på laddaren men kommer inte att överladdas. Vi rekommenderar emellertid att du avbryter laddningen när väl full laddning uppnåtts.

OBS:

- Om du inte satt in kontakten ordentligt på plats, kommer LCD-lampan att blinka kontinuerligt.
- Väsentligt reducerade driftstider efter fulladdning av batteripaketet tyder på att batteriet närmar sig slutet på sitt driftsliv och måste bytas ut.
- Laddaren kan bli varm under laddningen. Detta är normalt för laddardriften. Ladda i välventilerat utrymme.
- Batteripaketet försätts i viloläge när det inte används under 72 timmar, vilket kan påverka laddningsprocessen. I detta fall, tryck på omkopplingsknappen för att aktivera batteripaketet före laddning.

SÄTTA IN OCH TA LOSS BATTERIPAKETET I/FRÅN “RAM OCH SELE”

För insättning

Placera batteripaketet i „ram och sele“ och skjut in tills ett klickljud hörs (fig. C).

För losstagning

Tryck på lossningsknappen bakom bärhandtagsöppningen på strömpaketet och dra paketet uppåt (fig. D).

Se nedan för beskrivning av delar fig. D.

D-1	Lossningsknapp
D-2	Bärhandtag

SÄTTA PÅ SELE MED BATTERIPAKET

Under normal användning bärs batteripaketet med “ram och sele” på ryggen. För att förebygga uttrötning och kunna arbeta bekvämt är bärplattan försedd med ett bältesspanne som garanterar rörelsefrihet.

Längden på midjebältet och axelremmarna kan justeras steglöst. Ryggkudden ska sitta stadigt och säkert på ryggen.

- Justera bättelängden, så att du känner dig bekväm före normalt arbete, längden ska anpassas till din kroppsstorlek vid bättesspännet. Sätt sedan ihop bättesspännets båda delar tills du hör ett klickljud (fig. E och F). För att ta va dig selen med batteripaketet ska du trycks på bättessknappen och dra isär de båda delarna.
- Justera längden på axelremmarna via motsvarande spänne. Selen ska dras fast på rätt sätt för att säkerställa komfort.

SÄTTA FAST OCH TA LOSS BATTERIPAKETET

Led batteripaketskabeln runt sidan på kroppen och anslut adaptern till 1,5 m-anslutningskabeln. Följ anvisningarna i bruksanvisningen för resp. enskild EGO-produkt.

⚠ VARNING: I en nödsituation ska du omedelbart lyfta bort batteripaketet från axlarna. En snabb metod är att lossa bättesspännet och lyfta av axelselen på båda sidor.

⚠ VARNING: Dra inte åt axelremmarna för hårt, eftersom det kan göra det svårt att ta loss batteripaketet.

⚠ VARNING: Bara vissa EGO-produkter passar till batteripaketet, nämligen häcksax (HT5100E, HT6500E), lövblås (LB5750E) och ledningstrimmer (BC3800E). Vi rekommenderar att du inte använder batteripaketet till andra motordrivna redskap.

UNDERHÅLL

⚠ VARNING: Batteripaketet måste repareras av tekniker vid auktoriserat EGO servicecenter.

⚠ VARNING: För att undvika allvarliga personskador ska du alltid ta bort batteripaketet från redskapet i samband med byte av tillbehör, rengöring eller underhållsarbete.

⚠ VARNING: Använd enbart identiska EGO utbytesdelar för service. Användning av andra delar kan ge upphov till en risk eller orsaka produktskada.

⚠ VARNING: Om rengöring med tryckluft är den enda metod som tillämpas, ska du alltid använda skyddsglasögon eller skyddsglasögon med sidoskärmar. Om arbetet är dammig, ska du också använda andningsmask.

ALLMÄNT UNDERHÅLL

Undvik användning av lösningsmedel för rengöring av plastdetaljer. De flesta plaster är känsliga för skada av olika typer av lösningsmedel i handeln och kan skadas genom att sådana används. Använd rena trasor för att avlägsna smuts, damm, olja, fett etc.

⚠ VARNING: Låt inte någonsin bromsvätska, bensin, petroleumbaserade produkter, inträngande oljor etc. komma i kontakt med plastdetaljer. Kemikalier kan skada, försvaga eller förstöra plast, vilket kan leda till allvarlig personskada.

BATTERIER

Batteripaketet är utrustat med laddningsbara litiumjon-batterier. Användningstiden efter varje laddning beror på typen av utfört arbete. Batterierna i detta redskap har konstruerats för att ge maximal bekvämsfri livslängd. På samma sätt som alla batterier, kommer de så småningom att bli utslitna.

Montera inte isär batteripaketet eller försök att byta ut cellerna. Hantering av batterierna kan leda till allvarliga brännskador, i synnerhet om du bär ringar och smycken. För att få längsta möjliga batterilivslängd, ska du läsa och förstå bruksanvisningen.

⚠ VARNING: Det är en god vana att ta ur kontakten till laddaren och ta bort batteripaketet när de inte används.

BORTTAGNING AV BATTERIPAKETET OCH FÖRBEREDELSE FÖR ÅTERVINNING



Kassera inte batteriladdare och batterier/ laddningsbara batterier i hushållsoporna!

I enlighet med EU-direktivet 2012/19/EU måste elektrisk och elektronisk utrustning som inte längre är användbar och i enlighet med EU-direktivet 2006/66/EG måste defekta eller begagnade batteripaket/batterier samlas in separat och avfallshanteras på ett miljövänligt sätt.

Kontakta dina lokala myndigheter avseende tillgängliga återvinnings- och/eller avfallshanteringsalternativ.

⚠ VARNING: Sedan du tagit ur batteripaketet för kassering eller återvinning ska du täcka dess poler med kraftig självhäftande tejp. Försök inte förstöra eller demontera batteripaketet eller avlägsna någon av dess komponenter. Litiumjonbatterier måste återvinnas eller avfallshanteras på rätt sätt. Vidrör inte heller polerna med metallföremål och/eller kroppsdelar, eftersom detta kan leda till kortslutning. Förvaras utom räckhåll för barn. Underlåtenhet att följa dessa varningstexter kan leda till brand och/eller allvarlig skada.

FELSÖKNING

PROBLEM	ORSAK	ÅTGÄRD
Det motordrivna redskapet fungerar inte.	<ul style="list-style-type: none"> ■ Batteripaketets adapter har inte satts fast på det motordrivna redskapet. ■ Ingen elektrisk kontakt mellan motorredskap och batteri. ■ Batteripacket är urladdat. ■ Batteripaketet eller motorredskapet för hett. ■ Kabeln eller adaptern fungerar inte. 	<ul style="list-style-type: none"> ■ Batteripaketet fäst på motorredskapet: ■ Ta bort adaptern, kontrollera kontakterna och sätt tillbaka adaptern. ■ Ladda batteripaketet. ■ Kyl batteripaketet eller motorredskapet tills temperaturen sjunker till normala värden. ■ Kontakt med EGO servicecentra.
“ÖVERTEMPERATUR” visas på LCD-indikatorn.	<ul style="list-style-type: none"> ■ Batteritemperaturen överstiger eller sjunker under specificerat värde. 	<ul style="list-style-type: none"> ■ Avbryt laddning eller urladdning tills temperaturen blir normal.
“KAN INTE LADDAS” visas på LCD-indikatorn.	<ul style="list-style-type: none"> ■ Spänningen i en battericell överstiger 4,3 V. 	<ul style="list-style-type: none"> ■ Avbryt laddningen omgående; men batteriet kan urladdas. Om detta problem upprepas flera gånger, kontakta EGO servicecenter.
LCD-lampan blinkar kontinuerligt.	<ul style="list-style-type: none"> ■ Kontakten är inte helt insatt i adaptern eller batteripaketet fungerar som adapter till ett oidentifierat motordrivna redskap. 	<ul style="list-style-type: none"> ■ Sätt åter in kontakten i uttaget på batteriadaptern tills du hör “två klickljud”. Använd EGO motordrivna redskap.

SE

GARANTI

GARANTIVILLKOREN AV EGO

Var god besök webbplatsen egopowerplus.com för att se de fullständiga garantivillkoren av EGO.

LUE KAIKKI OHJEET!



LUE KÄYTTÄJÄN KÄSIKIRJA

⚠ Jäännösriski! Henkilöiden, joilla on elektroniikkalaitteita, kuten sydämentahdistimia, tulee neuvotella lääkärin kanssa ennen tuotteen käyttöä. Sähkölaitteiden käyttö sydämentahdistimen läheisyydessä voi aiheuttaa tahdistimeen häiriöitä tai vikoja.

⚠ VAROITUS: Valtuutetun huoltoteknikon tulee suorittaa kaikki korjaukset ja osien vaihdot, jotta voidaan taata tuotteen turvallinen ja luotettava käyttö.

TURVAMERKIT

Turvamerkkien tavoitteena on kiinnittää huomio mahdollisiin vaaroihin. Sinun tulee lukea huolellisesti käyttöohjeet ja ymmärtää turvamerkit ja niiden selitteet. Turvamerkit eivät itsessään poista vaaraa. Niiden antamat ohjeet ja varoitukset eivät korvaa asianmukaisia tapaturman torjuntatoimenpiteitä.

⚠ VAROITUS: Varmista, että luet ja ymmärrät kaikki tämän käyttäjän käsikirjan turvallisuusohjeet, mukaan lukien kaikki vaaramerkit, kuten ”VAARA”, ”VAROITUS” ja ”HUOMIO”, ennen kuin käytät työkalua. Alla mainittujen ohjeiden noudattamatta jättäminen voi aiheuttaa sähköiskun, tulipalon ja/tai vakavan henkilövahingon.

⚠ VAROITUS: Tulipalon ja palovammojen vaara. Älä pura, lämmitä yli 100 °C:een tai polta. Pidä akku poissa lasten ulottuvilta ja alkupeäisessä pakkauksessaan, kunnes se on valmis käyttöön. Hävitä käytetty akku välittömästi paikallisten kierrätys- tai jätesäännösten mukaisesti.

TURVALLISUUSOHJEET

Tällä sivulla kuvataan ja esitellään turvallisuussymbolit, jotka saattavat esiintyä tässä tuotteessa. Lue, ymmärrä ja noudata kaikkia laitteen ohjeita ennen kuin yrität koota sen tai käyttää sitä.

	Turvallisuusvaroitukset	Osoittaa mahdollista henkilövahinkojen vaaraa.
	Lue käyttäjän käsikirja	Tapaturmariskin pienentämiseksi käyttäjän täytyy lukea ja ymmärtää käyttäjän käsikirja ennen tuotteen käyttöä.

	Kierätyssymbolit	Älä hävitä akku/paristoja kotitalousjätteen seassa, polttamalla tai heittämällä veteen. Akut/paristot tulee kerätä, kierrättää tai hävittää ympäristöystävällisellä tavalla.
	Älä altista sateelle	Älä käytä sateella tai jätä sitä ulos sateeseen.
	CE	Tämä tuote vastaa sovellettavia EU-direktiivejä.
	WEEE	Vanhoja sähkölaitteita ei saa hävittää kotitalousjätteen mukana. Vie laite valtuutettuun kierrätyslaitokseen.
V	Voltti	Jännite
A	Ampeeria	Virta
W	Wattia	Teho
min	Minuuttia	Aika
	Tasavirta	Virran tyyppi tai ominaisuus

⚠ VAROITUS: Lue ja ymmärrä kaikki ohjeet. Ohjeiden noudattamatta jättäminen saattaa aiheuttaa sähköiskun, tulipalon ja/tai vakavan henkilövahingon. Termi ”sähkötyökalu” viittaa kaikissa varoituksissa EGO Power+ -akkukäyttöisiin (johdottomiin) nurmikko- ja puutarhalaitteisiin.

TYÖALUEEN TURVALLISUUS

- **Pidä työalue puhtaana ja hyvin valaistuna.** Sotkuiset tai hämärät alueet aiheuttavat onnettomuuksia.
- **Älä käytä sähkötyökaluja räjähdysriskissä ympäristössä, kuten esimerkiksi syttyvien nesteiden, kaasujen tai pölyn läheisyydessä.** Sähkötyökalut saattavat aiheuttaa kipinöitä, jotka voivat sytyttää pölyn tai höyryt.

SÄHKÖTURVALLISUUS

- **Älä altista sähkötyökaluja sateelle tai kosteudelle.** Sähkötyökaluun pääsevä vesi lisää sähköiskun vaaraa.
- **Käytä vain kohdassa ”TEKNISET TIEDOT” lueteltujen latureiden ja sähkötyökalujen kanssa.**

AKUN KÄYTTÖ JA KUNNOSSAPITO

- **Lataa akku vain valmistajan määrittämällä latureilla.** Laturi, joka sopii yhdentyypiselle akulle voi aiheuttaa tulipalovaaran, jos sitä käytetään toisenlaisen akun kanssa.
- **Käytä akkua vain sille erikseen määritettyjen sähkötyökalujen kanssa.** Muunlaisten sähkötyökalujen käyttö voi aiheuttaa henkilövahingon tai tulipalon vaaran.
- **Kun akku ei ole käytössä, pidä se erillään metalliesineistä, kuten paperiliittimet, kolikot, avaimet, naulat, ruuvit ja muut pienet metalliesineet, jotka voivat yhdistää akun navat toisiinsa.** Akun napojen oikosukul voi aiheuttaa palovammoja tai tulipalon.
- **Akusta voi valua nestettä väärästä käytöstä johtuen. Vältä kosketusta nesteeseen. Jos kosket nesteeseen vahingossa, huuhtelee vedellä. Jos nestettä pääsee silmiin, hakeudu lääkärin hoitoon.** Akusta valuva neste voi aiheuttaa ärsytystä tai palovammoja.
- **Älä pura, avaa tai silppua toissijaisia kennoja tai akkuja.**
- **Älä altista kennoja tai akkuja kuumuudelle tai tulelle.** Vältä varastointia suorassa auringonvalossa.
- **Älä oikosulje kennoa tai akkua.** Älä säilytä kennoja tai akkuja sekaisin laatikossa tai kaapissa, koska ne saattavat aiheuttaa keskenään tai yhdessä metalliesineiden kanssa oikosulun.
- **Älä poista kennoa tai akkua alkuperäisestä pakkauksestaan ennen kuin sitä tarvitaan käyttöön.**
- **Älä altista kennoja tai akkuja mekaanisille iskuille.**
- **Jos kenno vuotaa, vältä nesteen pääsy iholle tai silmiin.** Jos nestettä kuitenkin pääsee iholle tai silmiin, pese altistunut alue runsaalla vedellä ja hakeudu lääkärin hoitoon.
- **Älä käytä muuta laturia kuin sitä, joka on tarkoitettu nimenomaan tälle laitteelle.**
- **Älä käytä mitään kennoa tai akkua, jota ei ole tarkoitettu käytettäväksi laitteen kanssa.**
- **Älä sekoita eri valmistajien kennoja, erilaisia kapasiteetteja, kokoja tai tyypejä yhdessä laitteessa.**
- **Pidä kennot ja akut lasten ulottumattomissa.**
- **Hakeudu välittömästi lääkärin hoitoon, jos kenno tai paristo on nielty.**
- **Osta aina laitteeseen sopiva kenno tai akku.**

- **Pidä kennot ja akut puhtaina ja kuivina.**
- **Jos kennot tai akun navat ovat likaisia, pyyhi ne puhtaalla, kuivalla liinalla.**
- **Toissijaiset kennot ja akut täytyy ladata ennen käyttöä.** Käytä aina oikeanlaista laturia ja tutustu valmistajan ohjeisiin tai laitteen ohjeeseen, jossa on kunnolliset latausohjeet.
- **Älä jätä akkua lataukseen pitkäksi ajaksi, kun se ei ole käytössä.**
- **Pitkän säilytysajan jälkeen saattaa olla tarpeen ladata ja tyhjentää kennot ja akut useampaan kertaan, jotta ne toimisivat parhaalla mahdollisella tavalla.**
- **Toissijaiset kennot ja akut toimivat parhaiten, kun niitä käytetään tavallisessa huoneenlämmössä (20 °C ± 5 °C).**
- **Säilytä tuotteen alkuperäiset käyttöohjeet tulevia tarpeita varten.**
- **Käytä kennoa tai akkua vain siihen käyttöön, johon se on tarkoitettu.**
- **Jos mahdollista, poista akku laitteesta silloin, kun se ei ole käytössä.**
- **Hävitä asianmukaisesti.**

HUOLTO

- **Noudata tämän oppaan Kunnossapito-osion ohjeita.** Muiden kuin hyväksytyjen osien käyttö tai kunnossapito-ohjeiden noudattamatta jättäminen saattaa aiheuttaa sähköiskun tai henkilövahingon vaaran.

ERITYISET TURVAOHJEET

- **Tunne sähkötyökalusi. Lue käyttöopas huolellisesti. Opettele työkalun käyttötarkoitukset ja rajoitteet sekä siihen liittyvät mahdolliset erityiset vaarat.** Tämän ohjeen noudattaminen vähentää sähköiskun, tulipalon tai vakavan henkilövahingon vaaraa.
- **Akkutyökaluja ei tarvitse liittää sähköverkkoon. Tästä syystä ne ovat aina käyttökunnossa.** Tiedosta mahdolliset vaarat, kun et käytä akkutyökalua. Poista akku aina ennen kuin vaihdat lisävarusteita. Tämän säännön noudattaminen vähentää sähköiskun, tulipalon tai vakavan henkilövahingon vaaraa.
- **Älä aseta akkutyökaluja tai akkuja lähelle avotulta tai lämmönlähteitä.** Tämä vähentää räjähdysten vaaraa ja mahdollisia henkilövahinkoja.
- **Älä hävitä akkuja polttamalla.** Kennot saattavat räjähtää. Tarkasta paikallisten määräysten hävittämistä koskevat erikoisohjeet.

- **Älä avaa tai yritä vääntää akkua.** Vuotanut akkuneste on syövyttävää ja voi vahingoittaa silmiä tai ihoa. Voi olla myrkyllistä nieltynä.
- **Älä murskaa, pudota tai vaurioita akkua.** Älä käytä akkua tai laturia, joka on pudonnut tai johon on osunut voimakas isku. Vaurioitunut akku voi räjähtää. Hävitätä pudonnut tai vaurioitunut akku heti asianmukaisesti.
- **Akuista voi vapautua vetykaasua, ja ne saattavat räjähtää, jos lähellä on sytytyslähde, kuten sytytysliekki.** Vakavan henkilövahingon välttämiseksi johdottomia laitteita ei saa käyttää avotulen lähellä. Räjähtänyt akku saattaa singota irta-osia ja kemikaaleja ympärilleen. Altistumisen tapahtuessa huuhtelee välittömästi vedellä.
- **Älä lataa akkua kosteissa tai märissä paikoissa.** Tämän säännön noudattaminen vähentää sähköiskun vaaraa.
- **Parhaan tuloksen saat, kun akku ladataan tilassa, jonka lämpötila on yli 0 °C, mutta alle 40 °C.** Älä säilytä ulkona tai ajoneuvoissa.
- **Akkua saattaa vuotaa äärimmäisissä käyttö- tai lämpötilaolosuhteissa.** Jos neste pääsee iholle, pese välittömästi vedellä ja saippualla ja neutraloi sitten sitruunamehulla tai etikalla. Jos nestettä joutuu silmiin, huuhtelee silmiä vähintään 10 minuuttia puhtaalla vedellä ja hakeudu sitten välittömästi lääkärin hoitoon. Tämän ohjeen noudattaminen vähentää vakavien henkilövahinkojen vaaraa.
- **Älä anna bensiinin, öljypohjaisten tuotteiden ym. päästä kosketuksiin muoviosien kanssa.** Nämä aineet sisältävät kemikaaleja, jotka saattavat vahingoittaa, heikentää tai tuhota muovia.
- **Huollata akku pätevällä huoltohenkilöllä, joka käyttää vain identtisiä vaihto-osia.** Näin varmistat, että akun turvallisuus säilyy.

Säilytä nämä ohjeet. Lue ohjeet usein ja käytä niitä muiden työkalujen käyttäjien ohjeistamisessa. Jos lainaat tämän laitteen jollekulle muulle, lainaa samalla myös nämä ohjeet tuotteen väärinkäytön ja mahdollisen henkilövahingon estämiseksi.

MÄÄRITYKSET

Nimellisjännite	56 V ---
Nimelliskapasiteetti	1300 Wh
Sovitinlaturi	CH5500E
Sovitintyökalut	HT5100E, HT6500E, LB5750E, BC3800E
Paino (ilman sovitinta)	8,9 Kg

KUVAUS

TUNNE AKKUSI (kuva A)

1. Akku
2. LCD-näyttö
3. Johto
4. Sovitin (lisävaruste)
5. Kytkinpainike
6. Vapautuspainike
7. Kiinnitysreikä
8. Vyön solki
9. Valjaat
10. Kehikko
11. Vyö
12. Pyörivän palkin kokoonpano
13. Kehikko ja valjaat (lisävaruste)
14. Lannepehmuste (lisävaruste)

KÄYTTÖ

AKUN VIRRRAN MERKKIVALO

Tämä akku on varustettu LCD-näytöllä, jolla näkyy EGO-logo, todellinen akun kapasiteettitaso ja virhekoodit. Kun painat akun kytkinpainiketta, LCD-näyttö tulee päälle 10 sekunniksi ja näyttää EGO-logon, ja akun tilan.

- Näyttö on päällä käytön ja latauksen aikana.
- Jos akun kapasiteetti on alle 5 %, kapasiteetin ilmaisin näyttää "LOW".

AKUN SUOJAUS

Akun virtapiiri suojaa akkua äärimmäisiltä lämpötiloilta, yliurkaukselta, ylivirralta ja yllilataukselta. Akun virtapiiri suojaa akkua vaurioitumiselta ja pidentää sen käyttöikää kytkemällä akun pois päältä, jos akku yllilatautuu tai jos akun lämpötila on liian korkea tai liian alhainen käytön aikana. Näin saattaa käydä äärimmissä vääntö-, juuttumis- ja sakkaustilanteissa.

- Lataustilanteessa akku kytkeytyy pois ja LCD-näytössä näkyy "ERROR" ja "OVER TEMPERATURE", jos akun lämpötila on yli 45°C tai alle 0°C. Akku alkaa toimia automaattisesti, kun lämpötila palautuu normaalksi 90 minuutin kuluttua. Muussa tapauksessa akku sammuu, liu'uta sovitin alas laturiin uudelleen, voi aktivoida latauksen uudelleen.
- Akku kytkeytyy pois ja LCD-näytössä näkyy "ERROR" ja "CAN'T BE CHARGED", kun akkukennon jännite ylittää 4,3 V. Suosittelemme purkamaan akun varauksen välittömästi. Jos tämä tapahtuu useita kertoja, ota yhteys EGO-huoltoiliikkeeseen.
- Mikäli akku tyhjenee, akku sammuu ja LCD-näytössä näkyy "VIRHE" ja "YLILÄMPÖTILA" silloin, kun akun lämpötila on yli 60 °C tai alle -20 °C. Akku palautuu toimintaan molemmissa tiloissa, kun normaali lämpötila on saavutettu ja silloin sähkötyökalu voidaan käynnistää uudelleen.
- Akku kytkeytyy pois ja LCD-näytössä näkyy "ERROR" ja "OVER LOAD", kun purkamisen enimmäisvirta ylittää 40 A. Suosittelemme pysäyttämään työt ja ottamaan yhteyttä huoltoasentajaan.

VAROITUS: Älä missään olosuhteissa kuumenna akkua.

AKUN LATAAMINEN

Akku toimitetaan osittain ladattuna. Akku on ladattava ennen ensimmäistä käyttökertaa.

VAROITUS: Älä lataa akkua ulkona tai altista sitä kosteille tai märille olosuhteille. Laturiin tai akkuun pääsevä vesi lisää sähköiskun vaaraa. Lisätietoja löydät EGO CH5500E -pikalaturin käyttöoppaasta.

1. Yhdistä laturi (CH5500E) virtalähteeseen (220–240 V, 50 Hz).
2. Työnnä pistoke akkusovittimen liitäntään, kunnes kuuluu "kaksi napsahdusta" (kuva B).

Kuvan B tiedot alla:

B-1	Pistoke
B-2	Sovitin

3. Liu'uta sovitin alas laturiin samalla tavalla kuin muissa EGO-akuissa.
4. Kun akkua ladataan, LCD-näytössä näkyy latauskapasiteetti ja 100 %, kun akku on täyteen ladattu. Odota, kunnes jäädytystuuletin sammuu, ja poista sitten akku laturista ja irrota laturi virtalähteestä.
5. Jos akku jätetään laturiin, se latautuu täyteen, mutta ei yllilataudu. Suosittelemme kuitenkin lopettamaan latauksen, kun täysi lataus on saavutettu.

HUOMAUTUS:

- Jos et ole työntänyt pistoketta paikalleen kunnolla, LCD-valo vilkkuu jatkuvasti.
- Täysin ladatun akun merkittävästi lyhentynyt käyttöaika viittaa siihen, että akun käyttöikä on lähenemässä loppua, ja se on vaihdettava.
- Laturi saattaa lämmentä latauksen aikana. Tämä on osa laturin normaalia toimintaa. Lataa hyvin ilmastoidussa paikassa.
- Akku menee lepotilaan, jos sitä ei käytetä 72 tuntiin, ja se voi vaikuttaa LATAUSPROSESSIIN. Tässä tapauksessa paina ensin kytkinpainiketta akun aktivoimiseksi ennen kuin aloitat latauksen.

KEHIKON JA VALJAIDEN YHDISTÄMINEN AKKUUN JA IRROTTAMINEN SIITÄ

Yhdistäminen

Aseta akku kehiikkoon ja valjaisiin ja liu'uta, kunnes kuulet napsahduksen (kuva C).

Irrottaminen

Paina akun kantokahvan takana olevaa vapautuspainiketta ja vedä akkua ylöspäin (kuva D).

Kuvan D tiedot alla:

D-1	Vapautuspainike
D-2	Kantokahva

ASETA VALJAAT AKKUUN

Normaalissa käytössä kehiikolla ja valjailla varustettua akkua käytetään selässä. Lantiovivöllä varustettu kantolevy estää väsymistä ja lisää käyttömukavuutta sekä takaa liikkumisvapauden.

Lantiovuon ja olkahihnojen pituutta voi säätää vapaasti. Selkärephmuseen pitää kohdistua selkään oikein.

- Säädä hinnan pituutta, jotta normaali työskentely on miellyttävää. Hihnasoljen läpi menevän pituuden tulee olla oman kokosi mukainen. Työnnä kaksi hihnasoljen osaa yhteen, kunnes kuulet napsahduksen (kuvat E ja F). Voit irrottaa valjaat ja akun painamalla vyön solkea ja vetämällä kaksi osaa irti toisistaan.
- Säädä olkahihnojen pituutta hihnojen solkien avulla. Valjaiden pitää olla kunnolla kiristetyt, jotta työskentely on mukavaa.

AKUN KIINNITTÄMINEN JA IRROTTAMINEN

Ohjaa akun johto ympäri rungon sivusta ja yhdistä sovittu 1,5 metrin liitäntäjohtoon. Noudata kunkin EGO-tuotteen oman käyttöoppaan ohjeita.

VAROITUS: Ota akku olaltasi pois välittömästi, jos on hätätilanne. Hinnan soljen vapauttaminen ja olkahihnojen riisuminen kummaltakin puolelta on pikavapautusmenetelmä.

VAROITUS: Älä kiristä olkahihnoja liikaa, sillä silloin akun irrottaminen voi olla vaikeaa.

VAROITUS: Vain tietyt EGO-tuotteet sopivat reppuakun kanssa, kuten pensasleikkuri (HT5100E, HT6500E), puhallin (LB5750E) ja siimaleikkuri (BC3800E). Emme suosittele reppuakun käyttöä muiden sähkötyökalujen kanssa.

HUOLTO

VAROITUS: Reppuakku on korjautettava tai vaihdettava EGO-huoltooliikkeessä ja valtuutettujen asentajien toimesta.

VAROITUS: Poista akku työkalusta aina, kun vaihdat lisäosia tai puhdistat tai huollat laitetta vakavan henkilövamman välttämiseksi.

VAROITUS: Käytä huollossa vain identtisiä EGO-varaosia. Muiden osien käyttö saattaa aiheuttaa vaaran tai tuotteen vaurioitumisen.

VAROITUS: Jos kompressoidulla ilmalla puhdistaminen on ainoa vaihtoehto, käytä aina suojalaseja, joissa on sivusuojat. Jos työ on pölyistä, käytä myös hengityssuojainta.

YLEINEN KUNNOSSAPITO

Vältä liuotainaineiden käyttöä, kun puhdistat muoviosia. Useimmat muovit ovat herkkiä vaurioitumaan erilaisista kaupallisista liuottimista ja voivat vioittua niiden käytöstä. Käytä liian, pölyn, öljyn, rasvan ym. poistamiseen puhdasta liinaa.

VAROITUS: Älä koskaan anna jarrunesteiden, bensiinin, öljypohjaisten tuotteiden, ruosteenirrotusöljyn ym. päästä kosketuksiin muoviosien kanssa. Kemikaalit voivat vaurioittaa, heikentää tai tuhota muovin, mikä voi johtaa vakavaan henkilövahinkoon.

AKUT

Akkuyksikkö on varustettu uudelleen ladattavilla litium-ioniakkuilla. Latauksen jälkeinen käyttöaika riippuu suoritettavasta työstä. Työkalun akut on suunniteltu tarjoamaan mahdollisimman pitkä moitteeton käyttöaika. Kaikki akut kuitenkin lopulta kuluvat loppuun.

Älä pura akkua tai yritä vaihtaa kennoja. Akkujen käsittely, erityisesti jos käytät sormuksia tai koruja, saattaa aiheuttaa vakavan palovamman. Kun luet käyttöoppaan ja ymmärrät sen sisällön, akun käyttöäkin on pitkä.

VAROITUS: On hyvä käytäntö irrottaa laturi pistorasiasta ja poistaa akku, kun niitä ei käytetä.

AKUN POISTAMINEN JA KIERRÄTYKSEEN VALMISTELU



Älä hävitä akkulaturia tai akkua/ladattavia paristoja kotitalousjätteen seassa!

EU:n direktiivin 2012/19/EU mukaan sähkö- ja elektroniikkalaiteromu ja EU:n direktiivin 2006/66/EY mukaan vialliset tai käytetyt akut/paristot on kerättävä erikseen ja hävitettävä ympäristöystävällisellä tavalla.

Saat lisätietoja kierrättämisestä ja/tai hävitysvaihtoehdoista ottamalla yhteyden paikallisiin jätehuoltoviranomaisiin.

VAROITUS: Kun poistat akun hävitystä tai kierrätystä varten, peitä akun navat kestäväällä teipillä. Älä yritä tuhota tai purkaa akkua tai poistaa mitään sen komponentteja. Litium-ioniakut tulee kierrättää tai hävittää asianmukaisesti. Älä myöskään koske napoihin metalliesineillä ja/tai rungon osilla, koska se saattaa aiheuttaa oikosulun. Pidä poissa lasten ulottuvilta. Näiden ohjeiden noudattamatta jättäminen voi aiheuttaa tulipalon ja/tai vakavan vamman.

VIANETSINTÄ

ONGELMA	SYY	RATKAISU
Sähkötyökalu ei toimi.	<ul style="list-style-type: none"> ■ Akun sovittinta ei kiinnitetty sähkötyökaluun. ■ Sähkötyökalun ja akun välillä ei ole sähköliitäntää. ■ Akkuyksikkö on tyhjä ■ Akku tai sähkötyökalu on ylikuumentunut. ■ Johto tai sovitin ei toimi. 	<ul style="list-style-type: none"> ■ Liitä akku sähkötyökaluun. ■ Poista sovitin, tarkasta liitännät ja asenna sovitin uudelleen paikalleen. ■ Lataa akku. ■ Jäähdytä akku tai sähkötyökalu, kunnes lämpötila laskee normaaliarvoihin. ■ Ota yhteys EGO-huoltoliikkeeseen.
LCD-näytössä näkyy "OVER TEMPERATURE".	<ul style="list-style-type: none"> ■ Akun lämpötila ylittää määritetyn arvon. 	<ul style="list-style-type: none"> ■ Pysäytä lataus tai pura varausta, kunnes lämpötila on normaali.
LCD-näytössä näkyy "CAN'T BE CHARGED".	<ul style="list-style-type: none"> ■ Akkukennon jännite ylittää 4,3 V. 	<ul style="list-style-type: none"> ■ Pysäytä lataus välittömästi, akku voi purkaa varauksen. Jos tämä toistuu useita kertoja, ota yhteys EGO-huoltoliikkeeseen.
LCD-valo vilkkuu jatkuvasti.	<ul style="list-style-type: none"> ■ Pistoke ei ole kunnolla sovittimessa tai akku on asetettu tunnistamattoman sähkötyökalun sovittimeen. 	<ul style="list-style-type: none"> ■ Aseta pistoke akkusovittimen liitäntään, kunnes "kaksi napsahdusta" kuuluu. Käytä EGO-sähkötyökaluja.

FI

TAKUU

EGO-TAKUUKÄYTÄNTÖ

Katso verkkosivuilta osoitteesta egopowerplus.com EGO-takuukäytännön ehdot ja edellytykset kokonaisuudessaan.

LES ALLE INSTRUKSJONER!



LES BRUKERMANUALEN

⚠ Restrisiko! Personer med elektroniske enheter, for eksempel pacemakere, må rådføre seg med lege før de bruker dette produktet. Drift av elektrisk utstyr i umiddelbar nærhet av en pacemaker kan føre til at pacemakeren forstyrres eller svikter.

⚠ ADVARSEL: For sikre både sikkerheten og påliteligheten, skal alle reparasjoner utføres av en kvalifisert servicetekniker.

SIKKERHETSSYMBOLER

Formålet med sikkerhetssymbolene er å trekke oppmerksomheten din mot mulige faresituasjoner. Sikkerhetssymbolene og forklaringene krever din fulle oppmerksomhet og forståelse. Symbolvarslene eliminerer ikke farer på egen hånd. Instruksjonene og advarslene som finnes i dem er ikke erstatninger for passende ulykkesforebyggende tiltak.

⚠ ADVARSEL: Sørg for å lese og forstå alle sikkerhetsanvisningene i denne bruksanvisningen, inkludert alle sikkerhetsvarselssymboler så som «FARE», «ADVARSEL» og «FORSIKTIG» før du bruker dette verktøyet. Hvis du ikke følger alle instruksjonene nedenfor, kan det føre til elektriske støt, brann og/eller alvorlig personskade.

⚠ ADVARSEL: Risiko for brann og brannskader. Skal ikke tas fra hverandre, utsettes for varme over 100 °C, eller brennes. Oppbevar batteripakken utilgjengelig for barn og i originalemballasjen, til den skal brukes. Kasser brukte batteripakker omgående i samsvar med lokale bestemmelser for gjenvinning eller avfallsbehandling.

SIKKERHETSINSTRUKSJONER

Denne siden viser og beskriver sikkerhetssymboler som finnes på produktet. Les, forstå og følg alle instruksjoner på maskinen før du forsøker å montere og bruke den.

	Sikkerhetsvarsel	Indikerer fare for mulig personskade.
	Les brukermanualen.	For å redusere risikoen for skader, må brukeren lese og forstå bruksanvisningen før produktet brukes.

	Resirkuleringsymboler	Ikke kast batteripakker/batterier i husholdningsavfall, iid eller vann. Batteripakker/batterier skal samles inn, resirkuleres eller avhendes på en miljøvennlig måte.
	Må ikke utsettes for regn	Må ikke brukes i regn eller etterlates ute når det regner.
	CE	Dette produktet er utformet i tråd med gjeldende EC-direktiver.
	WEEE	Elektrisk avfall må ikke kastes sammen med vanlig husholdningsavfall. Må avleveres på en godkjent gjenvinningsstasjon.
V	Volt	Spenning
A	Ampere	Strøm
W	Watt	Effekt
min	Minutter	Tid
	Likestrøm	Type eller karakteristikk for spenningen

⚠ ADVARSEL: Sørg for å lese og forstå alle instruksjonene. Hvis du ikke følger alle instruksjonene, kan det føre til elektriske støt, brann og/eller alvorlig personskade. Betegnelsen «elektroverktøy» viser i de fleste av advarslene i denne håndboken til EGO Power-enheten + batteridrevne (ledningsløse) plen- og hagemaskiner.

SIKKERHET I ARBEIDSRÅDET

- Hold arbeidsområdet rent og godt opplyst. Rotete eller mørke områder inviterer til ulykker.
- Ikke bruk maskinen i eksplosjonsfarlige omgivelser, for eksempel der det finnes brennbare væsker, gasser eller støv i nærheten. Elektroverktøy avgir gnister som kan antenne støv eller damper.

ELEKTRISK SIKKERHET

- Ikke utsett elektroverktøy for regn eller våte forhold. Kommer det vann inn i et elektroverktøy, øker risikoen for elektriske støt.
- Produktet må bare brukes sammen med ladere og elektroverktøy som er nevnt i «SPESIFIKASJONER».

BRUK OG STELL AV BATTERIPAKKER

- **Lad bare med laderne som er spesifisert av produsenten.** En lader som passer for én type batteripakke, kan skape fare for brann når den brukes med andre batteripakker.
- **Batteripakken må kun brukes sammen med spesifikt angitte elektroverktøy.** Bruk av andre elektroverktøy kan skape risiko for skader og brann.
- **Når batteripakken ikke er i bruk, må den holdes på avstand fra andre metallgjenstander som binders, mynter, nøkler, spikre, skruer og andre små metallgjenstander som kan skape kontakt mellom polene på batteriet.** Kortslutning av batteripolene kan forårsake brannskader eller brann.
- **Under skadelige forhold kan væske sive ut fra batteriet. Unngå kontakt. Hvis kontakt oppstår ved uhell, skyl med vann. Hvis man får væske i øynene, skal det i tillegg søkes medisinsk hjelp.** Væske som siver ut av batteriet, kan forårsake irritasjon eller brannskår.
- **Ikke demonter, åpne eller skjær i stykker sekundære celler eller batterier.**
- **Ikke eksponer celler eller batterier for varmekilder eller flammer.** Unngå lagring i direkte sollys.
- **Ikke kortslett en celle eller et batteri.** Ikke oppbevar celler eller batterier løst i en boks eller skuff der de kan kortslutte hverandre eller kortslyttes av andre metallgjenstander.
- **Ikke ta ut en celle / et batteri fra originalemballasjen før den/det skal brukes.**
- **Ikke utsett celler eller batterier for mekaniske støt.**
- **Dersom en celle lekker, må du ikke la væsken komme i kontakt med hud eller øyne.** Dersom kontakt har forekommet, må det berørte området skylles med store mengder vann, og lege kontaktes.
- **Ikke bruk noen annen lader enn den som er spesielt beregnet for bruk med utstyret.**
- **Ikke bruk en celle eller et batteri som ikke er beregnet for bruk sammen med utstyret.**
- **Ikke bland celler med ulik produsent, kapasitet, størrelse eller type i én og samme enhet.**
- **Oppbevar celler og batterier utilgjengelig for barn.**
- **Oppsøk lege umiddelbart hvis en celle eller et batteri svelges.**
- **Kjøp alltid riktig celle eller batteri for utstyret.**
- **Hold celler og batterier rene og tørre.**
- **Tørk av cellen eller batteripolene med en ren og tørr klut hvis de blir skitne.**

- **Sekundære celler og batterier må lades før bruk.** Bruk alltid riktig lader, og se produsentens instruksjoner eller utstyrshåndboken for riktige ladeinstruksjoner.
- **Ikke la et batteri stå til lading over lengre tid når det ikke er i bruk.**
- **Etter lengre tids lagring kan det være nødvendig å lade opp og lade ut cellene eller batteriene flere ganger for å oppnå maksimal ytelse.**
- **Sekundære celler og batterier gir best ytelse når de brukes ved normal romtemperatur (20 °C ± 5 °C).**
- **Ta vare på de originale produkthåndbøkene for fremtidig referanse.**
- **Celler og batterier må bare brukes til formålene de er ment for.**
- **Når det er mulig, bør du ta batteriet ut av utstyret når det ikke er i bruk.**
- **Deponer produktet på en forsvarlig måte.**

SERVICE

- **Følg instruksjonene om vedlikehold som finnes i denne håndboken.** Bruk av uautoriserte deler eller unnlatelse av å følge vedlikeholdsinstruksjonene kan medføre fare for støt eller skade.

SPESIFIKKE SIKKERHETSREGLER

- **Gjør deg kjent med elektroverktøyet ditt. Les brukerhåndboken nøye. Lær deg bruksområdene og begrensningene samt de spesifikke potensielle farene som er knyttet til verktøyet.** Ved å følge denne regelen vil du redusere risikoen for elektrisk støt, brann og alvorlig skade.
- **Batteridrevne verktøy trenger ikke å være tilkoblet strømnett for å fungere, og er derfor alltid klare for bruk.** Vær oppmerksom på mulige farer når du ikke bruker batteriverktøyet ditt. Ta alltid ut batteriet før du skifter tilbehør. Ved å følge denne regelen vil du redusere risikoen for elektrisk støt, brann og alvorlig personskade.
- **Unngå å plassere batteripakker eller batteridrevne verktøy i nærheten av flammer eller varmekilder.** Dette vil redusere risikoen for eksplosjon og eventuelle personskader.
- **Ikke utsett batteriene for åpne flammer.** Cellene kan eksplodere. Sjekk de lokale forskriftene for avhending av batterier.
- **Ikke åpne eller skad batteriet.** Elektrolytten i batteriet er etsende og kan forårsake skade på øyne og hud. Den kan være giftig ved svelging.

- **Batteriet må ikke klemmes, slippes i bakken eller skades på annen måte.** Ikke bruk en batteripakke eller lader som har falt i bakken eller blitt utsatt for et kraftig støt. Et skadd batteri kan eksplodere. Kasser batterier som er skadd eller har falt i bakken, umiddelbart på en forsvarlig måte.
- **Batterier avgir hydrogengass og kan eksplodere hvis de befinner seg i nærheten av en antenneskilde, som en pilotflamme.** For å redusere risikoen for alvorlige personskader må du aldri bruke ledningsløse produkter i nærheten av åpne flammer. Hvis et batteri eksploderer, kan batterideler og kjemikalier bli slynget ut i luften. Hvis du blir eksponert, må du skylle med vann umiddelbart.
- **Ikke lad batteriet i fuktige eller våte omgivelser.** Ved å følge denne regelen vil du redusere risikoen for elektrisk støt.
- **For best resultat bør batteriet lades på et sted der temperaturen er høyere enn 0 °C og lavere enn 40 °C.** Ikke lagre batteriet utendørs eller i et kjøretøy.
- **Batteriekkasje kan forekomme under ekstreme bruks- eller temperaturforhold.** Hvis væske kommer i kontakt med huden din, må du straks vaske kontaktområdet med såpe og vann, og deretter nøytralisere med sitronsaft eller eddik. Hvis du får væske i øynene, må du skylle med rent vann i minst 10 minutter og deretter oppsøke lege umiddelbart. Ved å følge denne regelen vil du redusere risikoen for alvorlig personskade.
- **Unngå at bensin, oljer, petroleumsbaserte produkter osv. kommer i kontakt med plastdeler.** Disse stoffene inneholder kjemikalier som kan skade, svekke eller ødelegge platen.
- **Service på batteripakken må utføres hos en kvalifisert reparatør og utelukkende ved bruk av identiske reservedeler.** Dette vil sikre at sikkerheten ved batteripakken opprettholdes.

Ta vare på disse instruksjonene. Bruk dem som referanse og til å instruere andre som kan komme til å bruke verktøyet. Hvis du låner ut dette verktøyet til noen andre, må du også gi disse instruksjonene til vedkommende for å hindre feil bruk av produktet og mulige skader.

SPESIFIKASJONER

Nominell spenning	56 V ---
Nominell kapasitet	1300 Wh
Ladeadapter	CH5500E
Adapter for elektroverktøy	HT5100E, HT6500E, LB5750E, BC3800E
Vekt (uten adapter)	8,9 Kg

BESKRIVELSE

KJENN BATTERIPAKKEN DIN (fig. A)

1. Batteripakke
2. LCD-indikator
3. Kabel
4. Adapter (selges separat)
5. Bryterknapp
6. Utløserknapp
7. Monteringshull
8. Beltespenne
9. Sele
10. Ramme
11. Belte
12. Rotasjonsstangmontasje
13. Ramme + sele (selges separat)
14. Hoftepute (selges separat)

DRIFT

STRØMINDIKATOR PÅ BATTERIPAKKEN

Denne batteripakken er utstyrt med en LCD-indikator som viser EGO-logoen, faktisk batterikapasitetsnivå og feilkoder. Når du trykker på batteribryterknappen, lyser LCD-indikatoren opp i 10 sekunder og viser først EGO-logoen, så og deretter batteristatusen.

- Indikatoren vil fortsette å lyse under bruk og lading.
- Hvis batterinivået faller under 5 %, vil statusindikatoren vise "LOW".

BATTERIBESKYTTELSE

Batterikretsene beskytter batteripakken mot ekstreme temperaturer, overutladning, overstrøm og overlading. For å beskytte batteriet mot skader og forlenge levetiden vil batteripakkens kretser slå batteripakken av hvis den blir overbelastet eller hvis temperaturen blir for høy eller lav under bruk. Dette kan skje i situasjoner med ekstremt høyt dreiemoment, opphenging eller blokkering.

- I forbindelse med lading vil batteripakken slås av og **“ERROR”** og **“OVER TEMPERATURE”** vises på LCD-indikatoren når temperaturen kommer over 45 °C eller under 0 °C. Når temperaturen vender tilbake tilbake til det normale i løpet av 90 minutter vil batteriet gå tilbake til arbeidet automatisk. Ellers vil batteriet stenge ned, skyv adapteren ned på laderen igjen, som kan aktivere lading.
- Batteripakken slår seg av, og **“ERROR”** og **“CAN'T BE CHARGED”** vises på LCD-indikatoren, når spenningen til en battericelle overstiger 4,3 V. Det anbefales da at du kobler fra batteripakken umiddelbart. Hvis dette skjer gjentatte ganger, må du kontakte et EGO-servicesenter.
- Når det gjelder utslipp, vil batteripakken stenges ned med **“ERROR”** og **“OVER TEMPERATURE”** vist på LCD-indikatoren når temperaturen overstiger 60 °C eller under -20 °C. Når temperaturen er tilbake i normalområdet, vil batteriet automatisk begynne å fungere igjen, slik at verktøyet kan startes på nytt.
- Batteripakken slår seg av, og **“ERROR”** og **“OVER LOAD”** vises på LCD-indikatoren, når den maksimale utladningsstrømmen overstiger 40 A. Det anbefales da at du avbryter arbeidet og kontakter en servicetekniker for å få hjelp.

⚠ ADVARSEL: Du må ikke under noen omstendigheter varme opp batteripakken.

LADING AV BATTERIPAKKEN

Batteripakken leveres delvis ladet. Batteriet bør lades før første gangs bruk.

⚠ ADVARSEL: Ikke lad batteripakken utendørs eller utsett den for våte eller fuktige forhold. Vann som trenger inn i laderen eller batteripakken, vil øke risikoen for elektrisk støt. For nærmere opplysninger, se brukerhåndboken for EGO CH5500E-hurtigladeren.

1. Koble laderen (CH5500E) til strømforsyningen (220–240 V ~ 50 Hz).

2. Sett støpselet inn i kontakten på batteriadapteren til du hører to klikk (fig. B).

Se delebeskrivelse for fig. B nedenfor:

B-1	Støpselet
B-2	Adapter

3. Sett adapteren på plass på laderen ved å følge samme fremgangsmåte som for andre EGO-batteripakker.
4. Når batteripakken lader, lyser LCD-indikatoren og angir ladenivået. 100 % betyr at batteripakken er fullt ladet. Vent til kjøleviften stopper, ta ut batteripakken fra laderen, og koble laderen fra strømforsyningen.
5. Batteripakken vil lades helt opp hvis du lar den stå i laderen, men den vil ikke overlades. Det anbefales likevel at du stanser ladingen så snart batteripakken er fullt oppladet.

MERK:

- Hvis du ikke har satt støpselet helt inn på plass, vil LCD-lyset blinke kontinuerlig.
- En betydelig redusert kjøretid etter full lading av batteripakken tyder på at batteriene er nær slutten av den brukbare levetiden og bør byttes ut.
- Laderen kan bli varm under lading. Dette er en del av den normale driften av laderen. Bruk laderen i et godt ventilert område.
- Batteriet vil gå i dvale hvis det forblir ubrukt i 72 timer, og kan påvirke ladeprosessen. I dette tilfellet bør du trykke på bryterknappen først for å aktivere batteriet før lading.

KOBLE “RAMME + SELE”-TILBEHØRET TIL OG FRA BATTERIPAKKEN

For å koble til:

Skyv batteripakken inn på plass i “ramme+ sele”-tilbehøret til du hører et klikk (fig. C).

For å koble fra:

Trykk på utløserknappen bak bæregrepsåpningen på batteripakken, og trekk pakken oppover (fig. D).

Se delebeskrivelse for fig. D nedenfor:

D-1	Utløserknapp
D-2	Bæregrep

SETT PÅ SELE MED BATTERIPAKKE

Ved normal bruk bæres batteripakken med "ramme + sele"-tilbehøret på ryggen. For å gjøre det lettere og mer komfortabelt å arbeide er bæreplaten utstyrt med et beltespenne som sikrer fri bevegelighet.

Lengden på beltet og skulderstroppene kan justeres etter eget ønske. Den bakre puten skal sitte godt og stramt mot ryggen.

- Juster beltelengden til kroppsstørrelsen din via beltespennen, slik at utstyret er komfortabelt å ha på. Stikk deretter beltespennens to deler inn i hverandre til du hører et klikk (fig. E og F). For å ta av deg selen med batteripakken, trykk inn belteknappen og dra de to delene fra hverandre.
- Juster lengden på skulderstroppene via stropsspennen. Selen bør strammes godt til for å sikre god komfort.

FEST OG LØSNE BATTERIPAKKEN

Før batteripakkekabelen rundt siden av kroppen din, og koble adapteren til den 1,5 m lange kabelen. Følg instruksjonene i brukerhåndboken for det enkelte EGO-produktet.

⚠ ADVARSEL: Ta av batteripakken fra skulderen din umiddelbart dersom en nødsituasjon oppstår. En rask måte å ta av den er å frigjøre beltespennen og ta av selen på hver side.

⚠ ADVARSEL: Skulderstroppene må ikke strammes for hardt til, da dette kan gjøre det vanskelig å ta av batteripakken.

⚠ ADVARSEL: Batteripakken er bare egnet for bruk med bestemte EGO-produkter, nærmere bestemt hekktrimmere (HT5100E, HT6500E), løvblåsere (LB5750E) og kantklippere (BC3800E). Du bør ikke bruke batteripakken sammen med andre elektroverktøy.

VEDLIKEHOLD

⚠ ADVARSEL: Batteripakken må repareres eller skiftes ut ved et godkjent EGO-servicesenter.

⚠ ADVARSEL: For å unngå alvorlige personskader må du alltid fjerne batteripakken fra verktøyet når du skal bytte tilbehør, rengjøre verktøyet eller utføre vedlikehold.

⚠ ADVARSEL: Ved service må du bare bruke identiske reservedeler fra EGO. Bruk av andre deler kan forårsake farer eller skader på produktet.

⚠ ADVARSEL: Hvis rengjøring med trykkluft er den eneste metoden som kan brukes, må det alltid brukes øyevern eller vernebriller med sidebeskyttelse. Hvis arbeidet er støvete, må det brukes støvmaske også.

GENERELT VEDLIKEHOLD

Ikke bruk løsemidler når du rengjør plastdeler. De fleste plasttyper vil kunne ta skade av å bli rengjort med forskjellige typer løsemidler som er i vanlig salg. Bruk rene kluter for å fjerne skitt, støv, olje, fett osv.

⚠ ADVARSEL: Bremsevæske, bensin, petroleumsbaserte produkter, rustoppløsende oljer osv. må ikke på noe tidspunkt komme i kontakt med plastdeler. Kjemikalier kan skade, svekke eller ødelegge platen, noe som igjen kan medføre alvorlig personskade.

BATTERIER

Batteripakken er utstyrt med oppladbare litium-ion-batterier. Brukstiden per lading vil avhenge av typen arbeid som utføres. Batteriene i dette verktøyet er konstruert for å gi maksimal problemfri levetid. Akkurat som alle batterier, vil de slites ut etter hvert.

Ikke demonter batteripakken eller forsøk å bytte ut cellene. Håndtering av batteriene kan resultere i alvorlig brannskade, særlig hvis du bruker ringer og smykker. For å få lengst mulig batterilevetid må du sørge for å lese og forstå innholdet i brukerhåndboken.

⚠ ADVARSEL: Det er god praksis å koble fra laderen og fjerne batteripakken når den ikke er i bruk.

FJERNING AV BATTERIPAKKEN OG FORBEREDELSE FOR GJENVINNING



Ikke kast batteriladeren eller batterier/oppladbare batterier i husholdningsavfallet! Ifølge direktiv 2012/19/EU og direktiv 2006/66/EF skal elektrisk og elektronisk utstyr som ikke lenger er brukbart, samt defekte eller brukte batteripakker/batterier samles inn separat og avhendes på en miljøvennlig måte.

Li-ion

Kontakt din lokale myndighet med ansvar for avfallshåndtering for å få informasjon om hvilke resirkulerings- og/eller deponeringsmuligheter som er tilgjengelige.

⚠ ADVARSEL: Ved fjerning av batteripakken med tanke på avhending eller resirkulering må batteripakkens terminaler dekkes til med tykk tape. Ikke forsøk å ødelegge eller demontere batteripakken eller fjerne noen av komponentene. Litium-ion-batterier må resirkuleres eller avhendes på riktig måte. Terminalene må aldri komme i kontakt med metallgjenstander og/eller kroppsdeler, da dette kan føre til kortslutning. Hold produktet utilgjengelig for barn. Hvis du ikke følger disse advarslene, kan det føre til brann og/eller alvorlig personskaade.

FEILSØKING

PROBLEM	ÅRSAK	LØSNING
Elektroverktøyet fungerer ikke.	<ul style="list-style-type: none"> ■ Batteripakkens adapter er ikke festet til elektroverktøyet. ■ Ingen elektrisk kontakt mellom verktøyet og batteriet. ■ Batteripakken er tom. ■ Batteripakken eller verktøyet er overopphetet. ■ Kabelen eller adapteren er skadet. 	<ul style="list-style-type: none"> ■ Fest batteripakken til verktøyet. ■ Fjern adapteren, sjekk kontaktene og installer adapteren igjen. ■ Lad opp batteripakken. ■ Kjøøl ned batteripakken eller motorverktøyet til temperaturen synker til under normale verdier. ■ Kontakt et EGO-servicesenter.
NO "OVER TEMPERATURE" vises på LCD-indikatoren.	<ul style="list-style-type: none"> ■ Batteritemperaturen er over eller under det spesifiserte temperaturområdet. 	<ul style="list-style-type: none"> ■ Avbryt ladingen eller utladingen til temperaturen er blitt normal igjen.
"CAN'T BE CHARGED" vises på LCD-indikatoren.	<ul style="list-style-type: none"> ■ Spenningen til en battericelle overstiger 4,3 V. 	<ul style="list-style-type: none"> ■ Avbryt ladingen umiddelbart. Batteriet kan utlades som normalt. Hvis dette skjer gjentatte ganger, må du kontakte et EGO-servicesenter.
LCD-lyset blinker kontinuerlig.	<ul style="list-style-type: none"> ■ Støpselet er ikke satt helt inn i adapteren, eller adapteren er koblet til et ikke-kompatibelt elektroverktøy. 	<ul style="list-style-type: none"> ■ Sett støpselet inn i kontakten på batteriadapteren igjen til du hører to klikk. Bruk EGO-elektroverktøy.

GARANTI

EGOs GARANTIREGLER

Besøk nettsiden egopowerplus.com for å se fullstendige vilkår og betingelser for EGO-garantireglene.